

Specifications



Distinctive Features

Bushing diameter:
16 (.630), 19 (.748), 22 (.866) or 30 mm (1.181)
Sealed to IP68 and IP69K (switches mounted on panel)
Easy to clean metal surface
Very long life expectancy
Illumination or Non-illumination



Environmental Specifications

- Sealing: IP68 per IEC 60529, IP69K per DIN 40050-9 (switches mounted on panel)
- Vibration resistance : 10-500 Hz / 10 g per IEC 60068-2-6
- Operating temperature : -40°C to +75°C (-40°F to +167°F)
- EMC compatibility according to EN 61058-1 for the whole range
- EMC compatibility according to EN 61000-4 & EN61000-6-2 for 1A



Materials

- Case: aluminum, anodized or stainless steel 316L
- Multi-wire leads section 0.22mm² length 300mm, twisted by pair
- Case, length 300mm, section depending on switch model
- PC terminals : bronze, tin plated

Note : to maintain the ESD performance, always add a ground washer when the panel is made of non-conductive material (PVC, polycarbonate).



Electrical Specifications

- Max. current / voltage rating with resistive load:
-Function NO : standard 200 mA 24 VAC / DC, 1 A 24 VAC / DC or request
-Function NC : standard max. 600 mA 24 VAC / DC
- Switch resistance ON : 10Ω max.
- Switch resistance OFF : 5MΩ max.
- Life expectancy : 50 million cycles
- LED consumption: illuminated dot 10mA - illuminated ring 20mA



Color



Blue



Green



Yellow



White

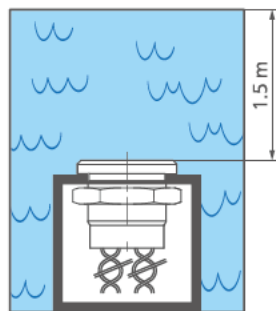


Red



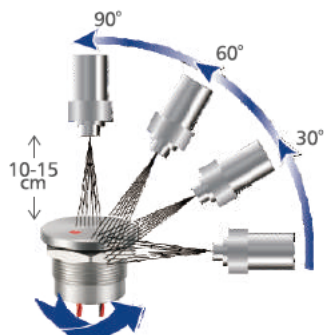
Sealing

SEALING IP68



Continuous immersion in water
IP68 test conditions
Continuous immersion in water
(1.5m, 24 hours)

SEALING IP69K



High pressure, high temperature wash
down IP69K test conditions

- Pressure : 80-120 bars
- Distance : 15cm
- Temperature : 80°C ± 5°C (176°F ± 41°F)
- Flow : 14-16 l/mn
- Duration : 30 seconds per position



General Specifications

- Operating force: 2 to 6 N
- Torque : 2.5 Nm min. -3 Nm max.

Specifications



Electrical Functions

FINGER PRESSURE applied to switch

1 = pressure

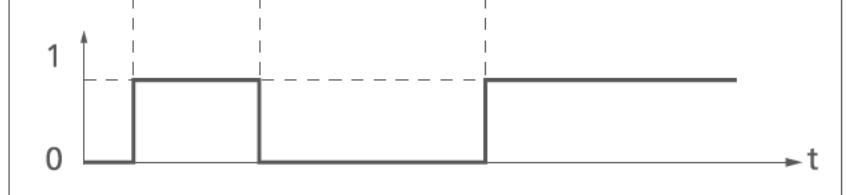
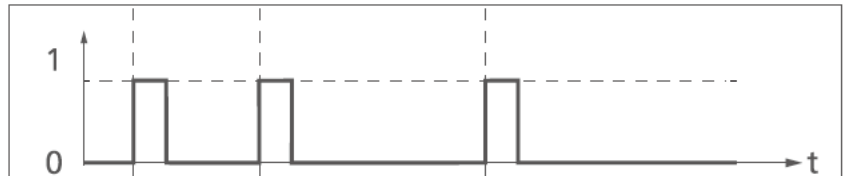
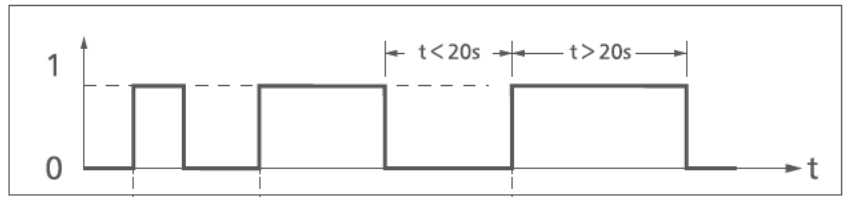
0 = no pressure

OUTPUT

Momentary NO (pulse)
No external power supply required

Momentary NC (pulse)
No external power supply required

Latching (ON - OFF)
Requires external power supply



1 = closed output 0 = open output

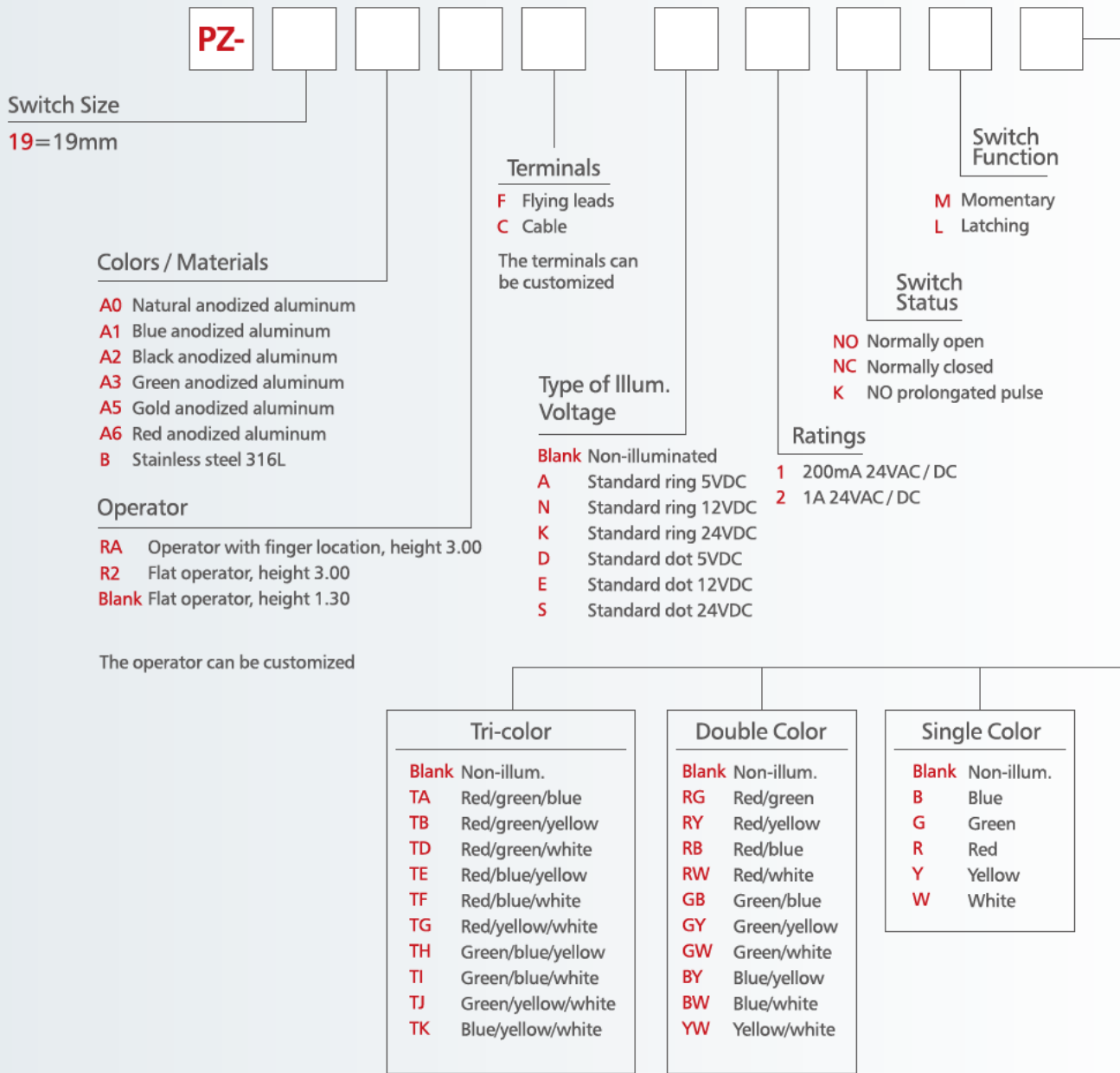


Wiring Diagrams

Function	Non-illuminated	1 LED*	2 LEDs	3 LEDs
Momentary NO				
Momentary NC				
Momentary NO Prolongated Pulse				
Latching (ON - OFF)				BR brown +V BK black GND BL blue output

Legend: B = black, A = same colour as LED

*LED colour is indicated by the bottom of the product.



NOTICE : please note that not all combinations of above numbers are available. Refer to the following pages for further information.

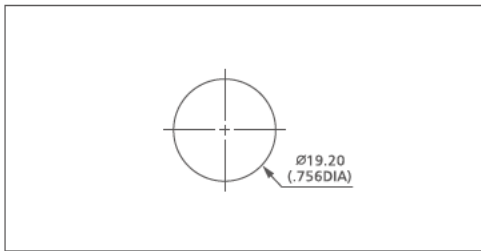


Mounting accessories standard hardware supplied :1 hex nut and 1 O-ring



Packing unit: 20 pieces

Piezo Switch



Shown with flying lead terminals.

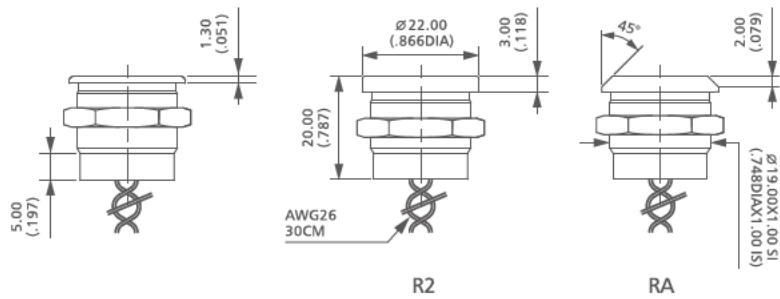
Non-illuminated



PZ19A3F1NOM

Flat

Chamfer



R2

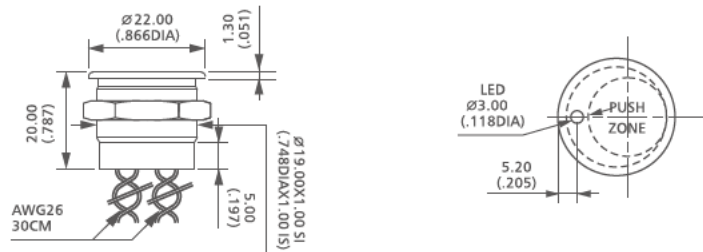
RA

Dot illuminated



PZ19BE1NOMG

Flat



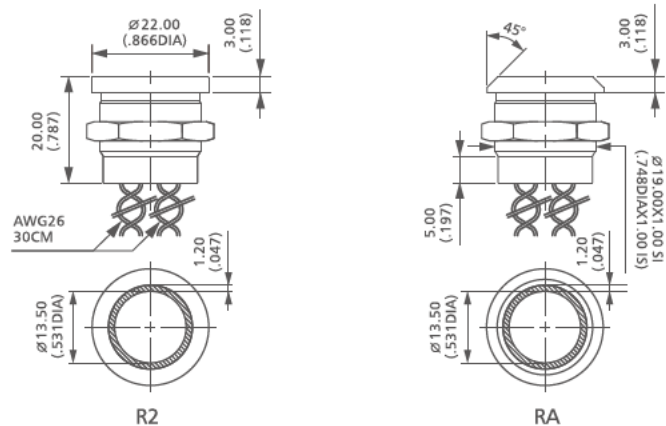
Ring illuminated



PZ19BRAFK1NOMR

Flat

Chamfer



R2

RA