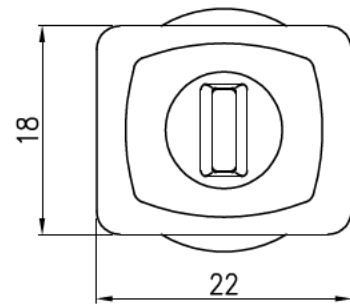
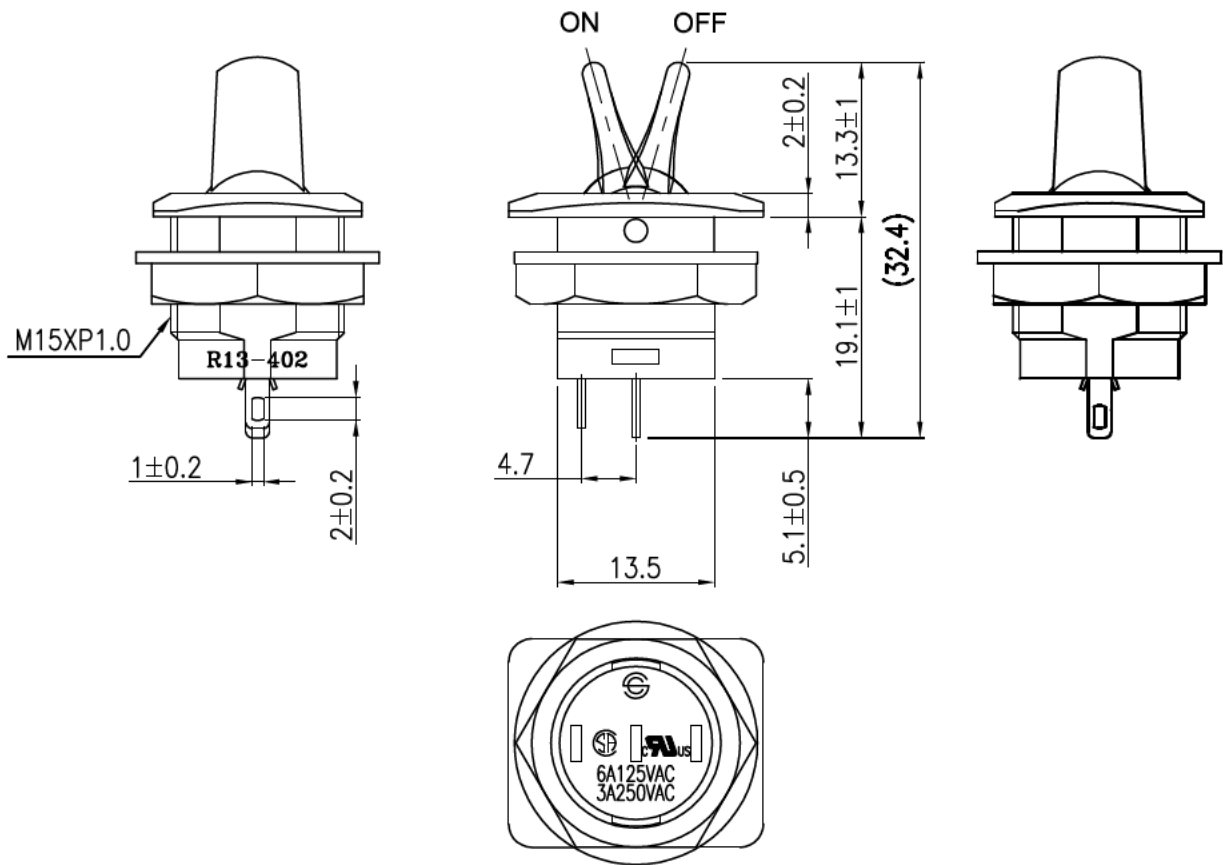


Rating	6A 125V,3A 250V AC		
Contact Resistance	50m ohm Max.		
Insulation Resistance	DC 500V 100M ohm Min.		
Dielectric Strength	AC 1000V 1 minute		
Switch Function	2P SPST OFF-ON		



Material:
 Frame: Black, Nylon 66
 Toggle: Black, ABS
 Terminals: Copper Alloy



1 - Tolerances Unless Otherwise Specified ±0.3

								△	
								△	
Date	Name	Description						No.	
Drawn	Checked	Approved	SCI BOM No.	1810379	Model Name	TOGGLE SWITCH			
			Customer No.		Model No.	R13-402A-05		Rev.	
			Unit	mm					0