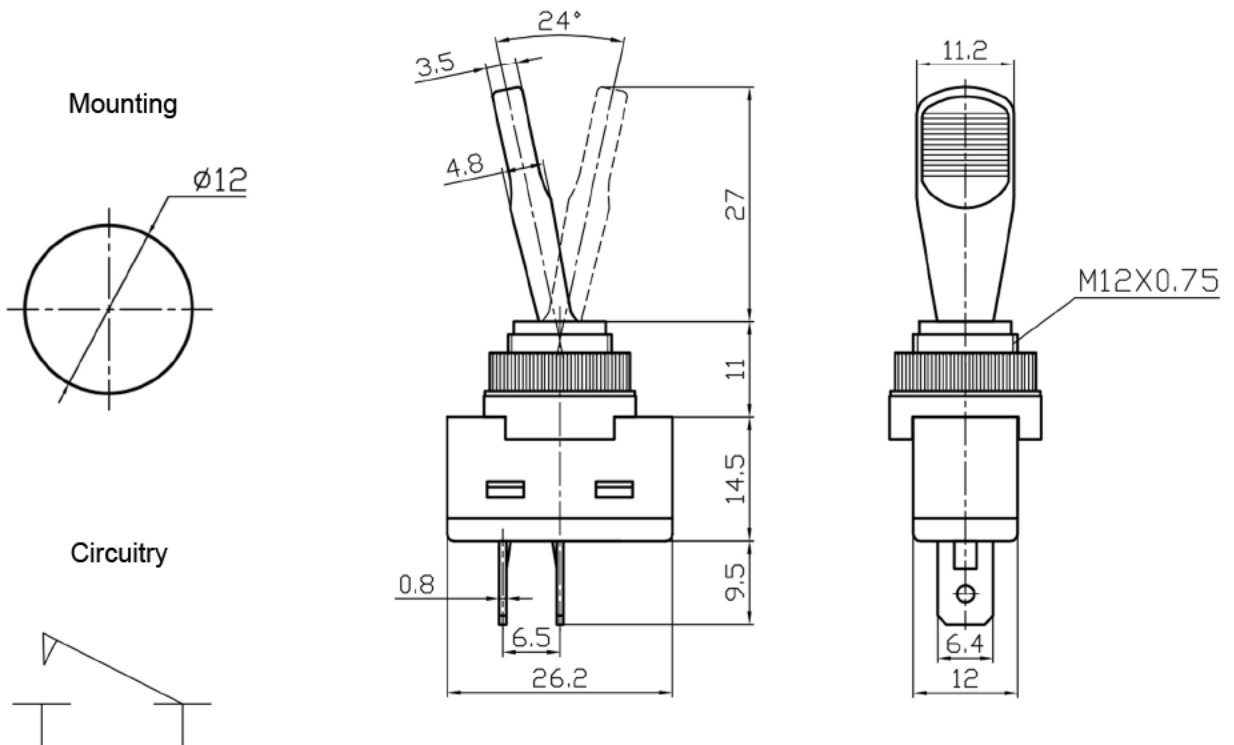


Specifications

| | |
|------------------------|-----------------------|
| Rating: | 10A 125VAC, 20A 12VDC |
| Contact Resistance: | 50mΩ Max |
| Insulation Resistance: | 100MΩ Min |
| Dielectric Strength: | 1500VAC 1 minute |
| Operating Temperature: | -25°C to +85°C |
| Electrical Life: | 10,000+ Cycles |



| Description | Ref Code |
|--|----------|
| On-Off Black Toggle Flick Switch SPST 20A 12VDC | 482225 |