

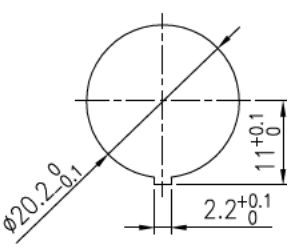
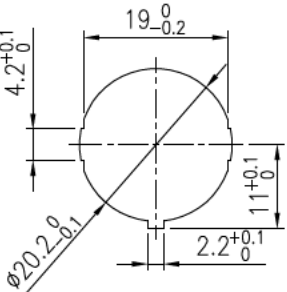


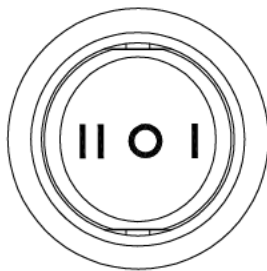
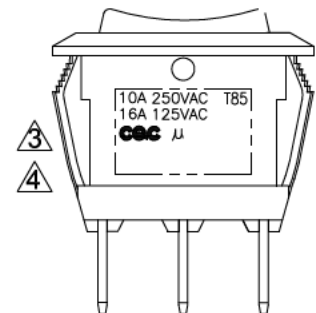
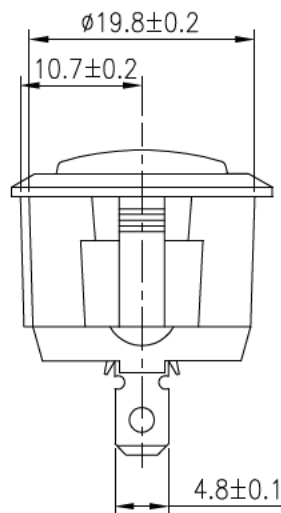
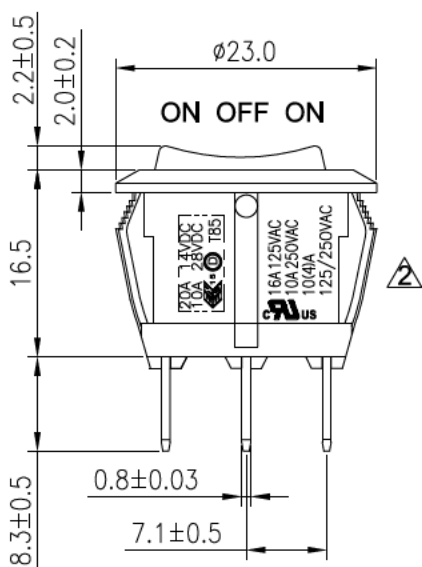
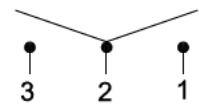


Rating	10(4)A 125/250VAC T85  	<div style="text-align: center;"> Mounting Hole </div> 			
	16A 125VAC 10A 250VAC 			<div style="text-align: center;"> Thickness:2.0~3.0 </div>	<div style="text-align: center;"> Thickness:0.7~3.0 </div>
	10A 250VAC 16A 125VAC  T85 μ				
Contact Resistance	50m ohm Max.				
Insulation Resistance	DC 500V 100M ohm Min.				
Dielectric Strength	AC 1500V 1 minute				
Operation Temperature	-25°C~85°C				
Switch Function	3P SPDT ON-OFF-ON				



Material:
 Frame: Nylon#66, Black
 Actuator: Nylon#66
 Printed: White, hot stamping

Circuit Diagram



1822606	Black
1821466	Red
SCI BOM NO.	Actuator

Tolerances ±0.3 Unless Otherwise Specified