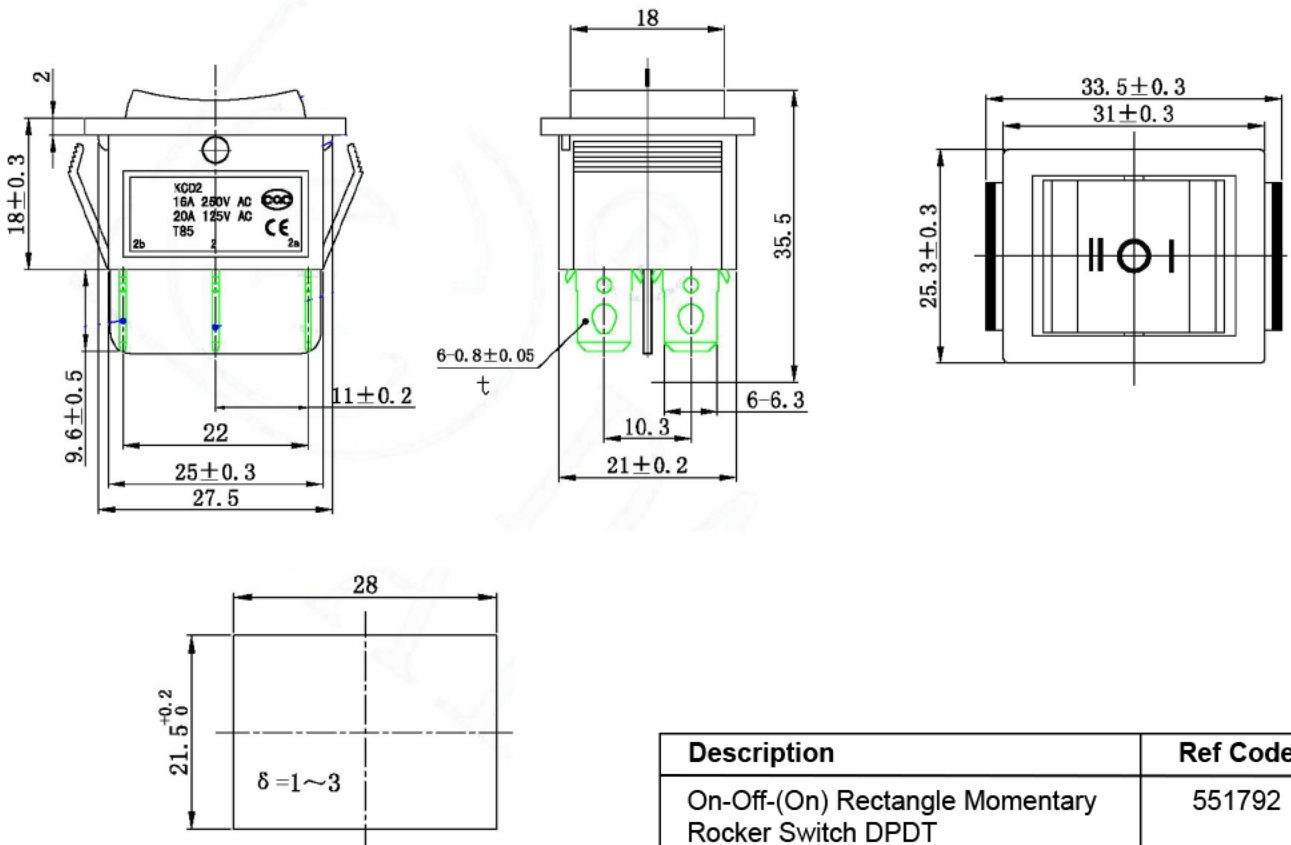


Specifications

Rating:	15A 250VAC, 20A 125VAC
Contact Resistance:	35mΩ Max
Insulation Resistance:	100MΩ Min
Dielectric Strength:	1500VAC 1 minute
Temperature Rating:	-25°C to 85°C
Electrical Life:	10,000+ Cycles



Description	Ref Code
On-Off-(On) Rectangle Momentary Rocker Switch DPDT	551792