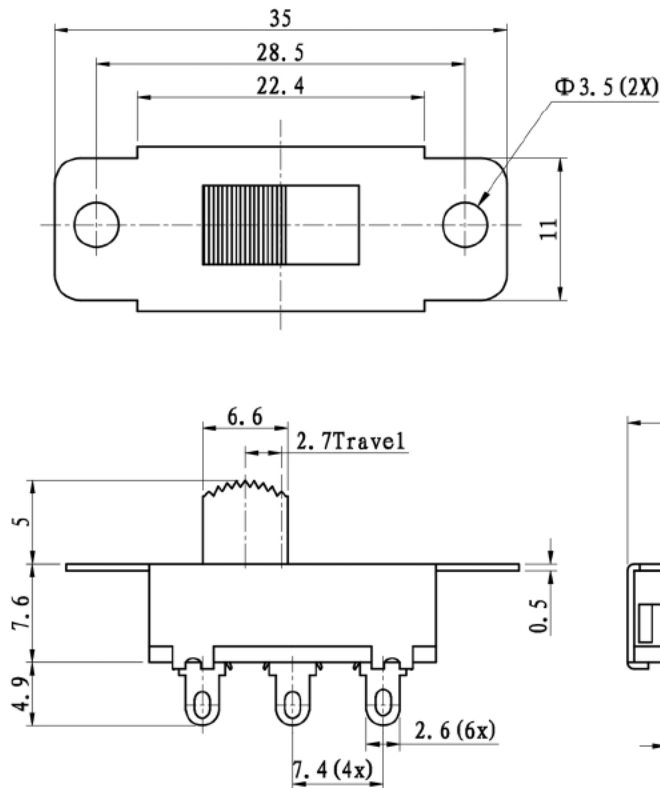
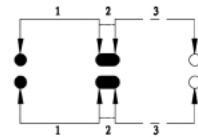


Specifications

Rating:	1.5A 250VAC
Contact Resistance:	50mΩ Max
Insulation Resistance:	100MΩ Min
Dielectric Strength:	500VAC 1 minute
Operating Temperature:	-25°C to +85°C
Electrical Life:	10,000+ Cycles



CIRCUIT:



Description	Ref Code
On-Off-On Slide Switch DPDT 3A	483303