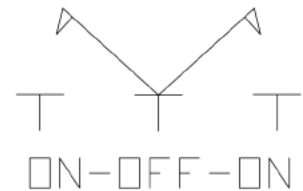
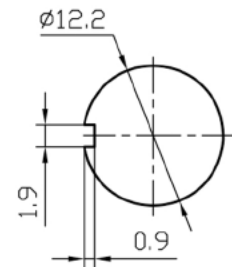
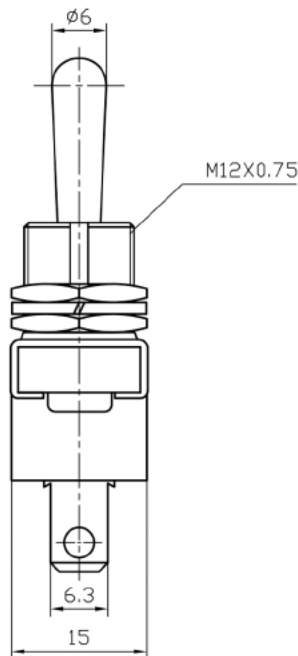
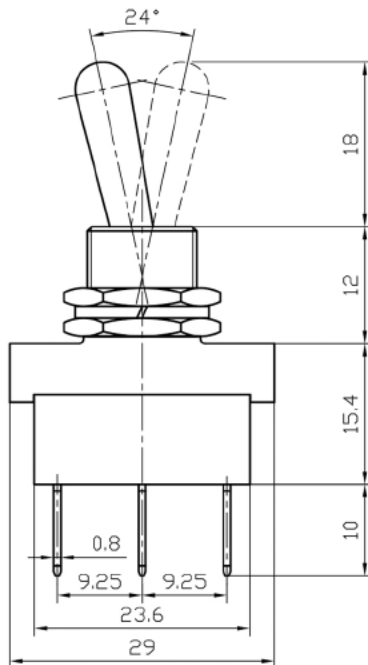


## Specifications

Rating:	3A 250VAC, 6A 125VAC, 25A 12VDC
Contact Resistance:	50mΩ Max
Insulation Resistance:	1000MΩ Min
Dielectric Strength:	1500VAC 1 minute
Operating Temperature:	-25°C to +85°C
Electrical Life:	10,000+ Cycles



Description	Ref Code
On-Off-On Toggle Switch SPDT 25A 12VDC	481959