
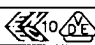
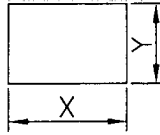
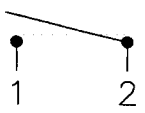

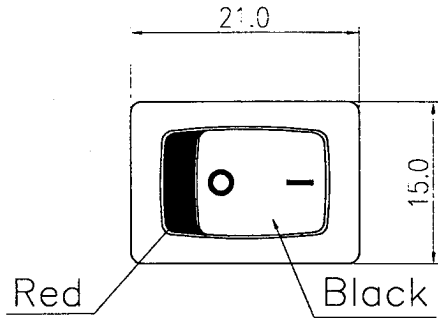
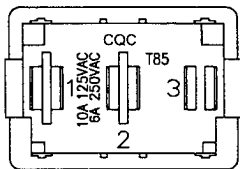
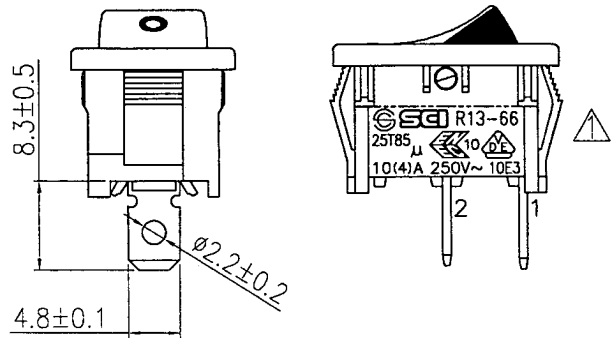
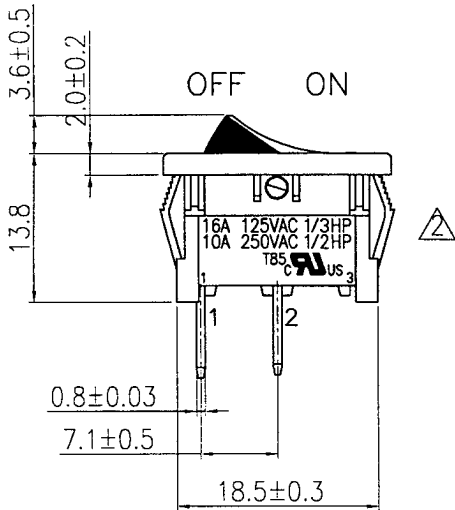


Rating	16A 125VAC 1/3HP 10A 250VAC 1/2HP	  CQC	Mounting Hole 	Circuit Diagram  												
	10(4)A 250V~															
	10A 125VAC, 6A250VAC															
Contact Resistance	50m ohm Max.															
Insulation Resistance	DC 500V 100M ohm Min.															
Dielectric Strength	AC 1500V 1 minute															
Operation Temperature	-25°C~85°C		<table border="1"> <tr> <th>Thickness</th> <th>X</th> <th>Y</th> </tr> <tr> <td>0.75...1.25</td> <td>19.2-0.1</td> <td>13+0.1</td> </tr> <tr> <td>1.25...2</td> <td>19.4-0.1</td> <td>13+0.1</td> </tr> <tr> <td>2...3</td> <td>19.8-0.1</td> <td>13+0.1</td> </tr> </table>	Thickness	X	Y	0.75...1.25	19.2-0.1	13+0.1	1.25...2	19.4-0.1	13+0.1	2...3	19.8-0.1	13+0.1	
Thickness	X	Y														
0.75...1.25	19.2-0.1	13+0.1														
1.25...2	19.4-0.1	13+0.1														
2...3	19.8-0.1	13+0.1														
Switch Function	2P SPST ON-OFF															



* MATERIAL:
 Frame: Black,Nylon#66
 Actuator: Black/Red,Nylon#66



Tolerances ±0.3 Unless Otherwise Specified