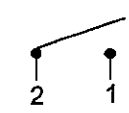
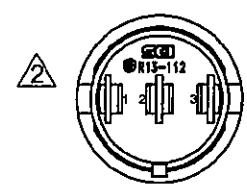
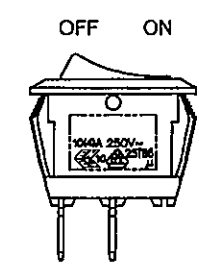
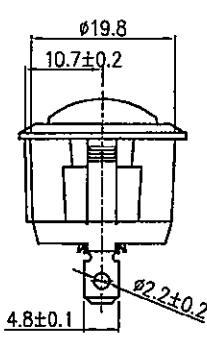
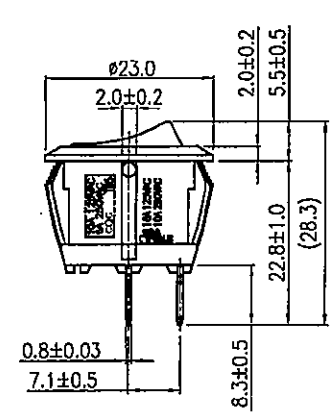
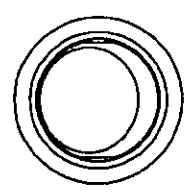


Rating	16A 125VAC, 10A 250VAC		Mounting Hole
	10A 125VAC, 6A 250VAC	CQC	
	10(4)A 250V~		
	20A 12V DC, 10A 24VDC		
Contact Resistance	50m ohm Max.		
Insulation Resistance	DC 500V 100M ohm Min.		
Dielectric Strength	AC 1500V 1 minute		
Operation Temperature	-25°C~85°C		
Switch Function	2P SPST ON-OFF		

Circuit Diagram



*MATERIAL-Frame: Nylon 66
 Actuator: Nylon 66
 Terminals: C1100
 Contacts: AgSnO2InO3
 *Snap-in mounting, easy to install Switch into Panel.
 *.Black body, Black rocker.



原稿
 2015.4.14
 研發部

Tolerances ±0.3 Unless Otherwise Specified