
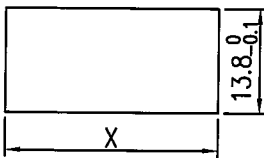
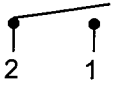
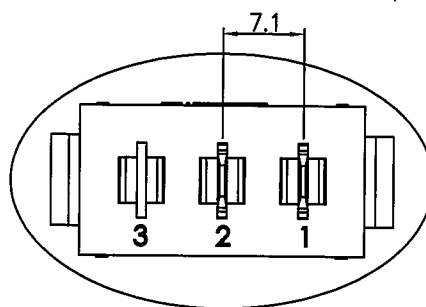
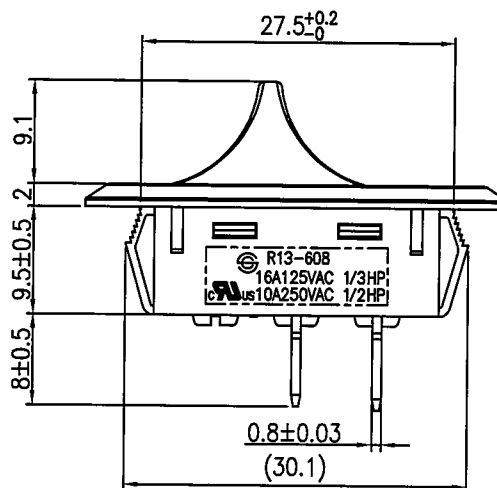
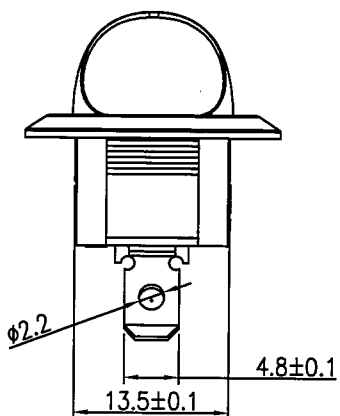
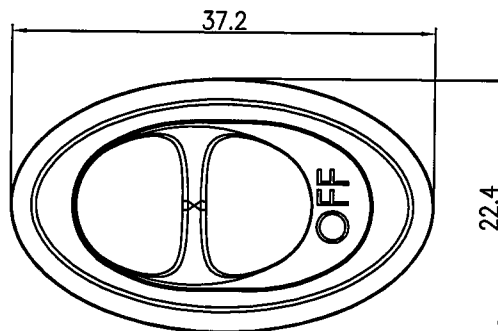


Rating	16A125VAC 1/3HP 10A250VAC 1/2HP		Mounting Hole	Circuit Diagram
Contact Resistance	50m ohm Max.			
Insulation Resistance	DC 500V 100M ohm Min.			
Dielectric Strength	AC 1500V 1 minute			
Operation Temperature	-20°C ~ 85°C			
Switch Function	2P SPST ON-OFF			
			T=0.75~2; X=27.8+0.1	
			T=2~3 ; X=28 +0.1	
			T= thickness of panels	

Material:
 Frame: Nylon#66, Black
 Actuator: Nylon#66, Black
 Printed: White, hot stamping



原稿
 2017.6.21
 研發部