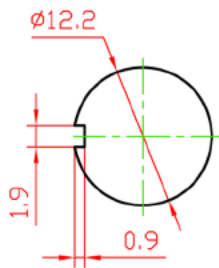


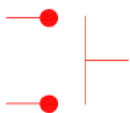
## Specifications

Rating:	6A 125VAC, 3A 250VAC, 10A 12VDC
Contact Resistance:	50mΩ Max
Insulation Resistance:	1000MΩ Min
Dielectric Strength:	1500VAC 1 minute
Operating Temperature:	-25°C to +85°C
Electrical Life:	10,000+ Cycles

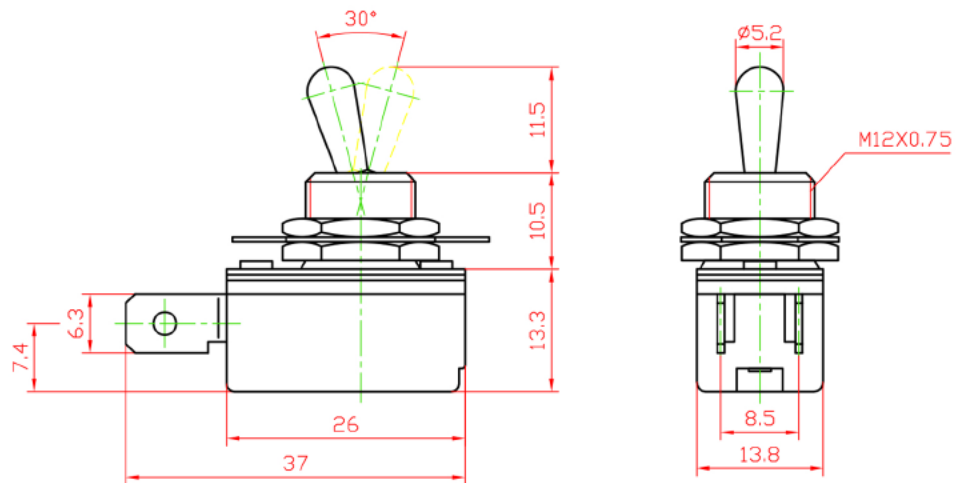
### Mounting



### Circuitry



ON-OFF



Description	Ref Code
On-Off Toggle Switch 10A 12VDC Side Terminals	482221