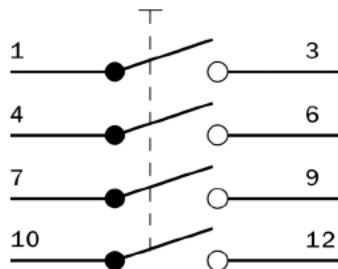
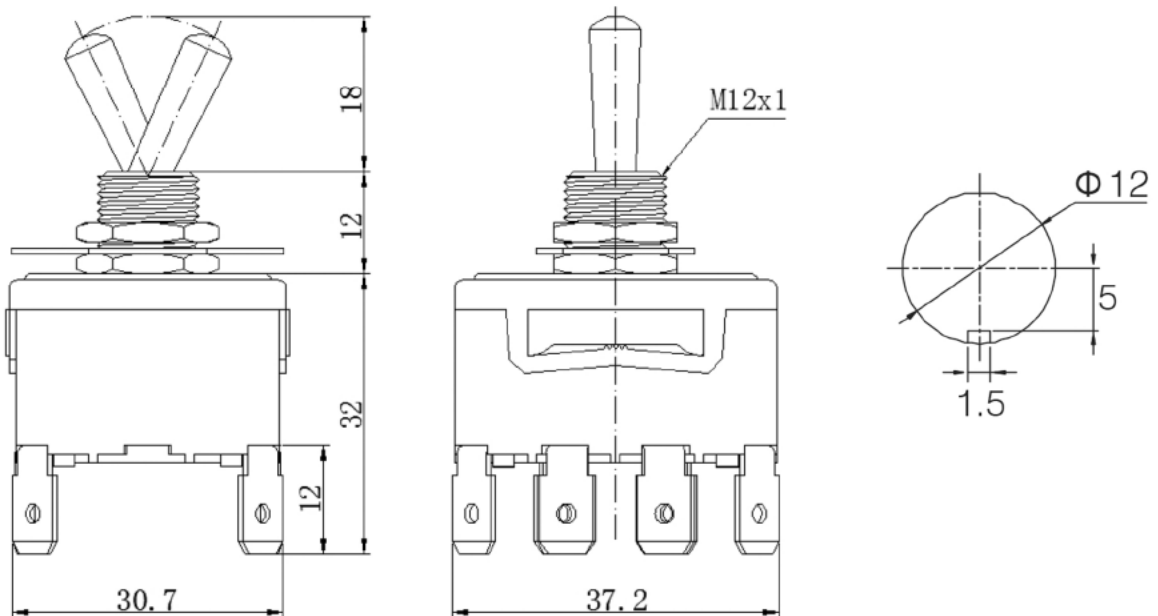


Specifications

Rating:	15A 250VAC
Contact Resistance:	25mΩ Max
Insulation Resistance:	100MΩ Min
Dielectric Strength:	1500VAC 1 minute
Operating Temperature:	-25°C to +80°C
Electrical Life:	100,000+ Cycles



Description	Ref Code
On-Off Toggle Switch 250V 15A 4PST	482561