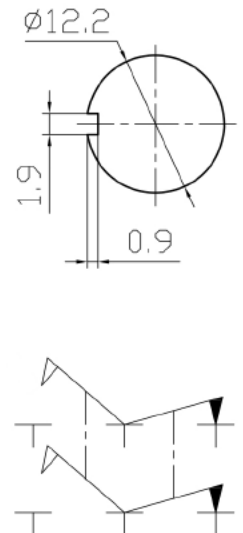
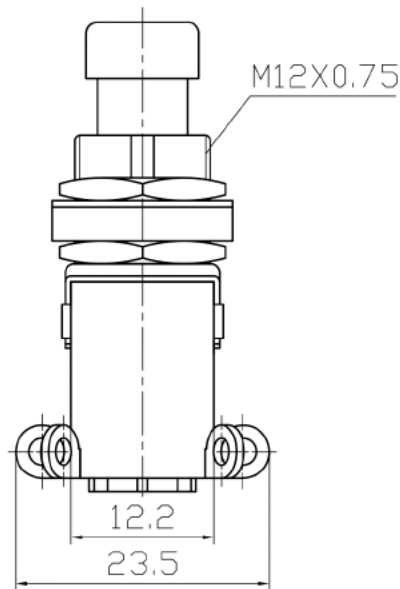
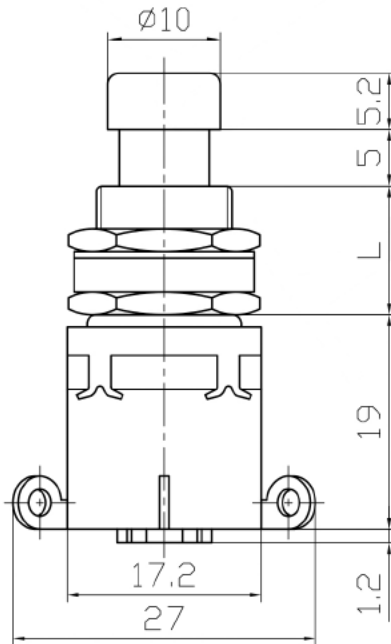


## Specifications

Rating:	2A 250VAC, 4A 125VAC
Contact Resistance:	20mΩ Max
Insulation Resistance:	100MΩ Min
Dielectric Strength:	1000VAC 1 minute
Operating Temperature:	-25°C to +85°C
Electrical Life:	10,000+ Cycles



Description	Ref Code
On-(On) Momentary Foot Switch Side Terminals DPDT	119004