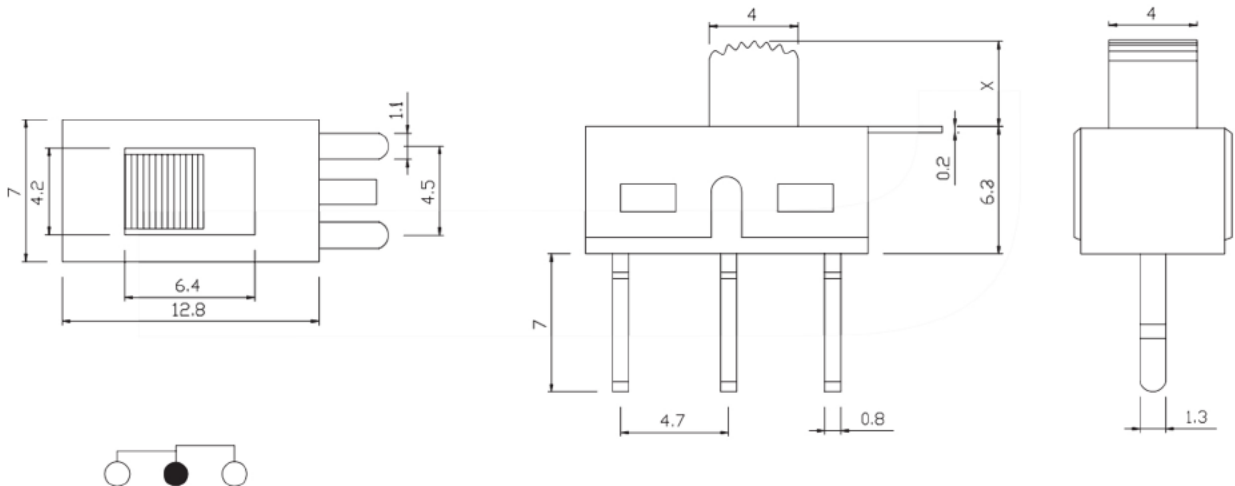


## Specifications

Rating:	0.3A 50VDC
Contact Resistance:	50mΩ Max
Insulation Resistance:	100MΩ Min
Dielectric Strength:	100VAC 1 minute
Electrical Life:	10,000+ Cycles



Description	Ref Code
On-On PCB Slide Switch SPDT 0.3A 50VDC	482028