

ROCKER SWITCH MODEL MR-3

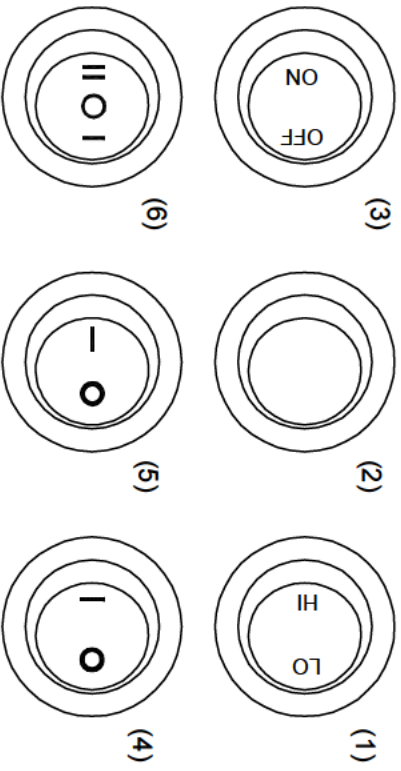
RATING: 10A 125/250VAC (UL/CUL)

10(4)A 250V~ μ T85 (FI/ENEC)

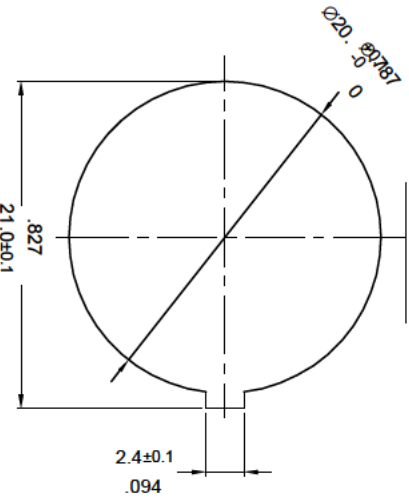
CONTACT RESISTANCE: 20m Ω INITIAL (MAX),

INSULATION RESISTANCE: 500VDC 100M Ω (MIN),

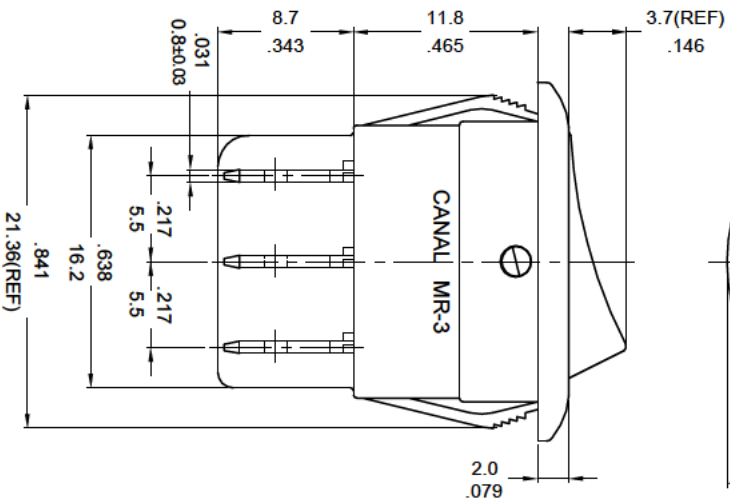
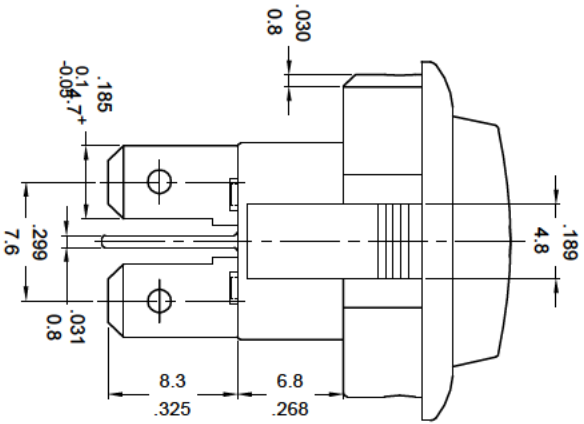
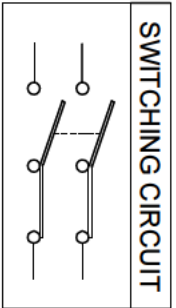
ULTASTAND VOLTAGE: 1000VAC FOR 1 MINUTE.



SCALE: 1/1



PANEL CUTOUT DIMENSION TABLE



NOTE: TOLERANCES UNLESS OTHERWISE PECIFIED: $\pm 0.012/0.3$ (in/mm)