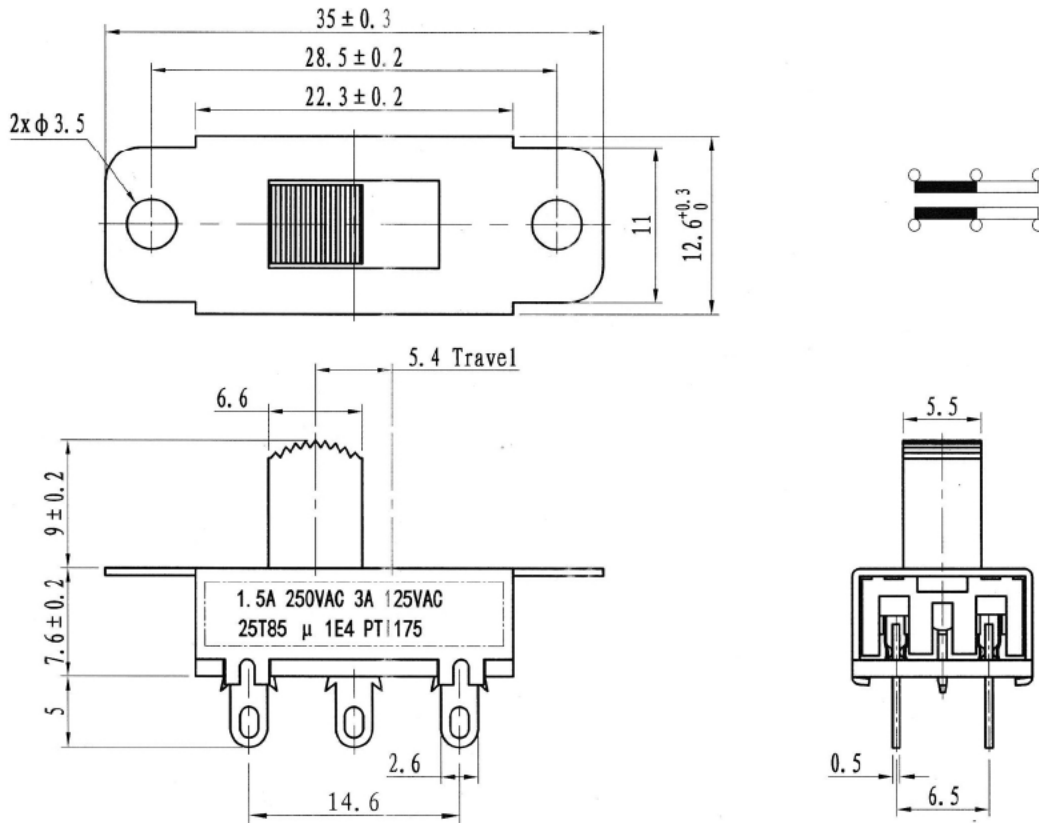


Specifications

Rating:	1.5A 250VAC, 3A 125VAC
Contact Resistance:	50mΩ Max
Insulation Resistance:	100MΩ Min
Dielectric Strength:	500VAC 1 minute
Operating Temperature:	-25°C to +85°C



Description	Ref Code
On-On Slide Switch DPDT 1.5A	550383