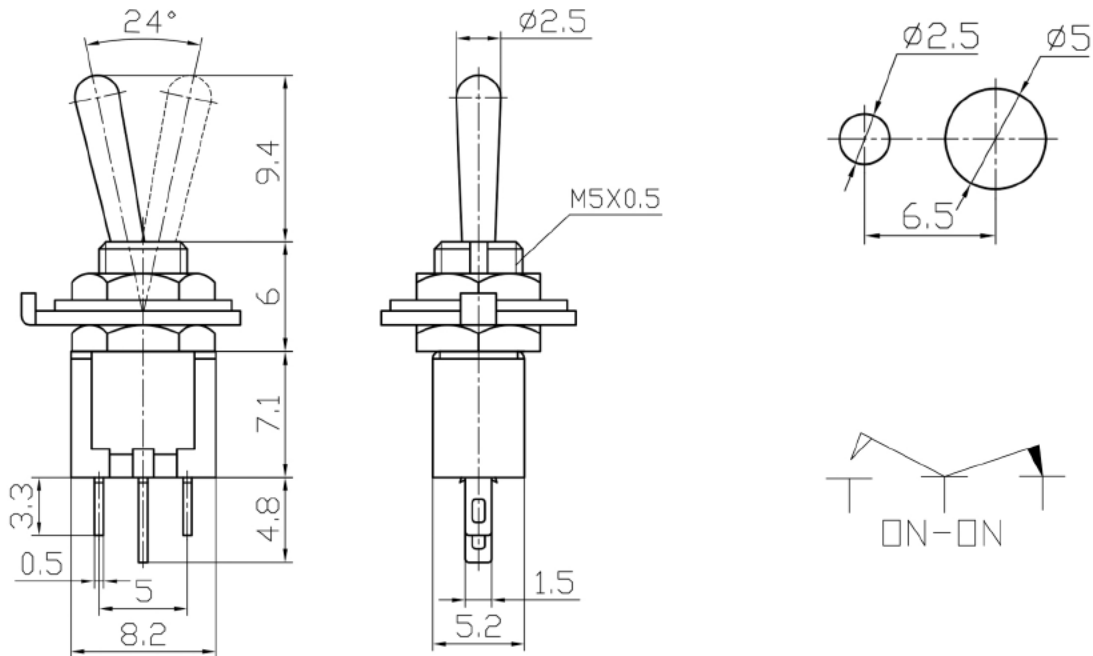


## Specifications

|                        |                        |
|------------------------|------------------------|
| Rating:                | 1.5A 250VAC, 3A 125VAC |
| Contact Resistance:    | 20mΩ Max               |
| Insulation Resistance: | 1000MΩ Min             |
| Dielectric Strength:   | 1000VAC 1 minute       |
| Operating Temperature: | -25°C to +85°C         |
| Electrical Life:       | 10,000+ Cycles         |



| Description                            | Ref Code |
|--|----------|
| On-On Sub-Miniature Toggle Switch SPDT | 112010   |