

PBA series

Piezo switches Ø 22 mm



DISTINCTIVE FEATURES

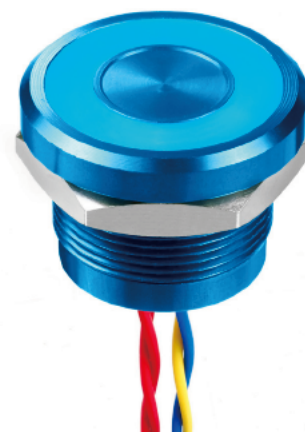
Bushing diameter 16 (.630), 19 (.748), 22 (.866) or 30 mm (1.181)

Sealed to IP68 and IP69K (switches mounted on panel)

Easy to clean metal surface

Very long life expectancy

Ring or dot illumination



ENVIRONMENTAL SPECIFICATIONS

- Sealing : IP68 per IEC 60529, IP69K per DIN 40050-9 (switches mounted on panel)
- Vibration resistance : 10-500 Hz / 10 g per IEC 60068-2-6
- Operating temperature : -40 °C to +75 °C (-40 °F to + 167 °F)
- EMC compatibility according to EN 61058-1 for the whole range
- EMC compatibility according to EN 61000-4 & EN61000-6-2 for mo 1A (code 002)
- Extreme thermal shock may briefly trigger the switch



ELECTRICAL SPECIFICATIONS

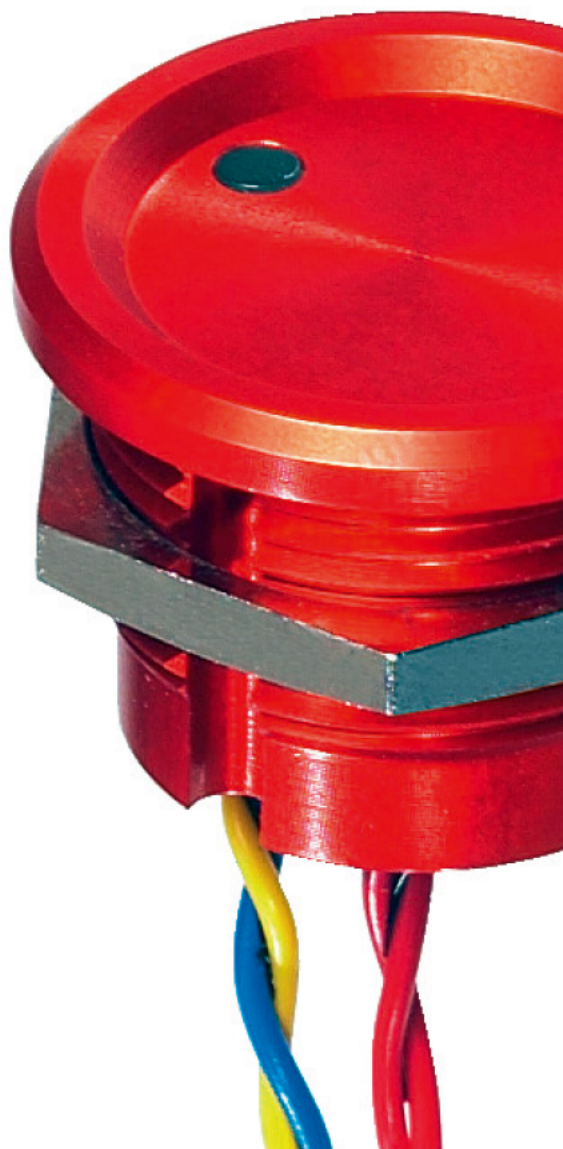
- Max. current/voltage rating with resistive load :
 - Function A : standard 200 mA 24 VAC/DC - option 1 A 24 VAC/DC
 - Function B : standard 100 mA 24 VAC/DC
- Switch resistance ON : 10 Ω max.
- Switch resistance OFF : 5 MΩ min.
- Life expectancy : 50 million cycles
- LED consumption : Illuminated dot 10 mA max.
Illuminated ring 20 mA max. (functions A-B)
- Power consumption for function 1 :
non-illuminated 10 mA - illuminated 30 mA



GENERAL SPECIFICATIONS

- Operating force : 2 to 6 N
- Torque : 2.5 Nm min. - 3 Nm max.

The company reserves the right to change specifications without notice.



PBA series

Piezo switches \varnothing 22 mm



MATERIALS

- Case : aluminum, anodized or stainless steel 316L
- Multi-wire leads section 0.22 mm² length 300 mm, twisted by pair
- Cable, length 300 mm, section depending on switch model
- PC terminals : bronze, tin plated

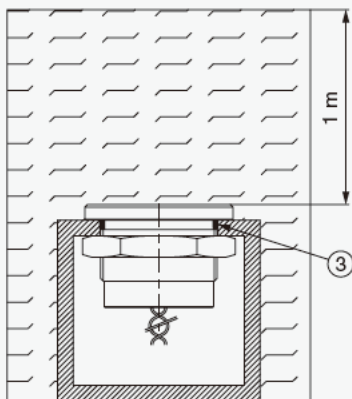
Note : to maintain the ESD performance, always add a ground washer when the panel is made of non-conductive material (PVC, polycarbonate).

For part numbers, see "Mounting accessories" on the following pages.



SEALING

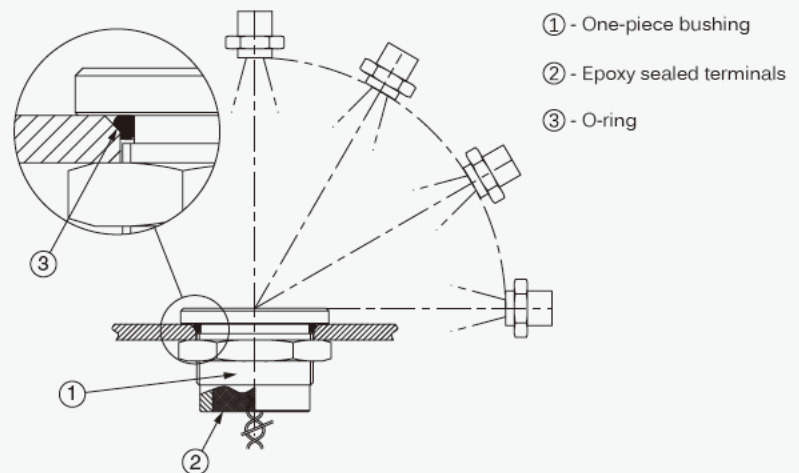
SEALING IP68



Continuous immersion in water
IP68 test conditions

Continuous immersion in water
(1 m, 24 hours)

SEALING IP69K



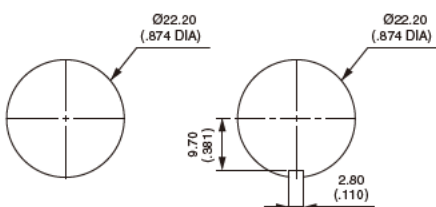
High pressure, high temperature wash down
IP69K test conditions

- . Pressure : 80 - 120 bars
- . Distance : 15 cm
- . Temperature : 80 °C \pm 5 °C (176 °F \pm 41 °F)
- . Flow : 14 - 16 l/mn
- . Duration : 30 seconds per position



PANEL CUT-OUT

MODELS \varnothing 22 (.866)

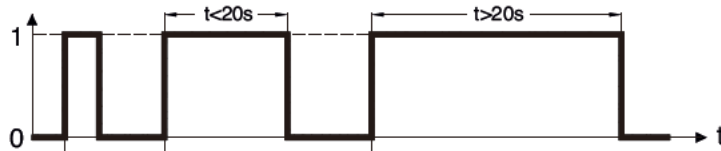




ELECTRICAL FUNCTIONS

FINGER PRESSURE APPLIED TO SWITCH

1 : pressure / 0 : no pressure

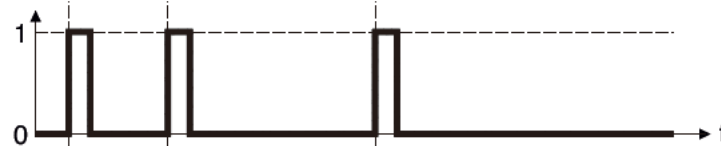


OUTPUT

1 : closed output / 0 : open output

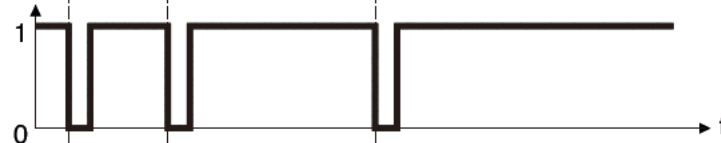
Momentary NO (pulse)

No external power supply required



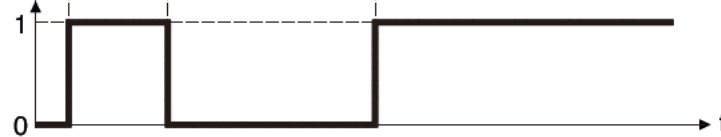
Momentary NC (pulse)

No external power supply required



Latching (ON - OFF)

Requires external power supply



WIRING DIAGRAMS

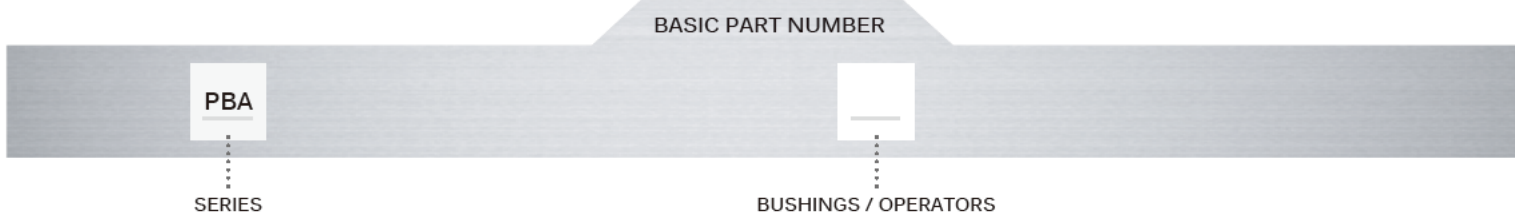
	Non-illuminated	1 LED *	2 LEDs	3 LEDs
Momentary NO				
Momentary NC				
Latching (ON - OFF)				

Legend : C : yellow, D : blue, B : black , A : same color as LED * LED color is indicated by protective resin color on bottom of un t.

PBA series

Piezo switches Ø 22 mm

BUILD YOUR PART NUMBER



BUSHINGS / OPERATORS	
R2	Flat, operator height 3 mm (.118) - Not available w. illuminated ring.
R6	With finger location, operator height 3 mm (.118). Not available with illuminated ring.
RY	With chamfer, operator height 4.5 mm (.177). Available with thin or large illuminated ring only.
RZ	Flat, operator height 4.5 mm (.177). Available with thin or large illuminated ring only.



ELECTRICAL FUNCTIONS	TERMINALS	COLORS / MATERIALS	RATINGS	TYPE OF ILLUMINATION/VOLTAGE
A NO (pulse)	F Flying leads	0 Natural anodized	000 Standard	Blank Non-illuminated
B NC (pulse)	C Cable	1 Blue anodized	002 1 A 24 VAC/DC (NO pulse only, function A)	C thin ring - 5 VDC
1 ON - OFF (requires external power supply - Illumination types V, Y and Z only - only one LED color)		2 Black anodized		D thin ring - 12 VDC
		3 Green anodized		E thin ring - 24 VDC
		5 Gold anodized		F large ring - 5 VDC
		6 Red anodized		G large ring - 12 VDC
		B Stainless steel 316L		H large ring - 24 VDC
				L* dot - 5 VDC
				P* dot - 12 VDC
				J* dot - 24 VDC
				V* dot - µcontroller driven
				Y thin ring - µcontroller driven
				Z large ring - µcontroller driven



Bold = standard

*Dot illumination only available with LED colors 0B, 0G, 0S, 0Y, 0W and SG.

LED COLORS LED COLORS (CONTINUED)

Blank Non-illum.	SG Red/green (dot only)	2E Green/blue	3A Red/green/blue	3H Green/blue/yellow
0B Blue	2A Red/green	2F Green/yellow	3B Red/green/yellow	3I Green/blue/white
0G Green	2B Red/yellow	2G Green/white	3D Red/green/white	3J Green/yellow/white
0S Red	2C Red/blue	2H Blue/yellow	3E Red/blue/yellow	3K Blue/yellow/white
0Y Yellow	2D Red/white	2I Blue/white	3F Red/blue/white	
0W White		2K Yellow/white	3G Red/yellow/white	

ABOUT THIS SERIES

-  **Notice** : please note that not all combinations of above numbers are available. Refer to the following pages for further information.
-  **Mounting accessories** : standard hardware supplied : 1 hex nut 10-856-0 (25 mm ac. flats) and 1 O-ring. Always add a ground washer U5737 when the panel is non-conductive (PVC, polycarbonate).

PBA series

Piezo switches $\varnothing 22$ mm

NON-ILLUMINATED OPERATOR HEIGHT 3 MM



Flat

PBAR2

With finger location

PBAR6

WITH ILLUMINATED DOT OPERATOR HEIGHT 3 MM



Flat

PBAR2

With finger location

PBAR6

WITH THIN ILLUMINATED RING OPERATOR HEIGHT 4.50



Flat

PBARZ

With chamfer

PBARY

WITH LARGE ILLUMINATED RING OPERATOR HEIGHT 4.50

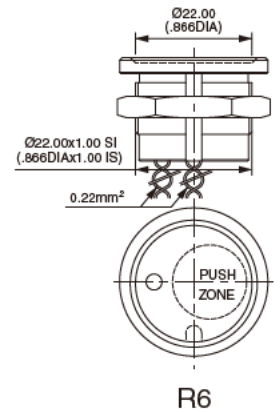
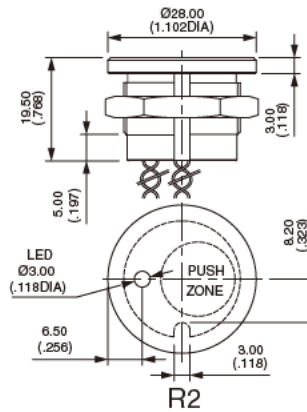
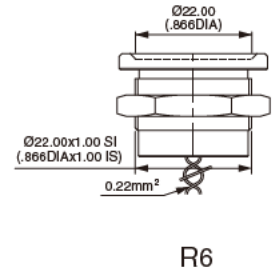
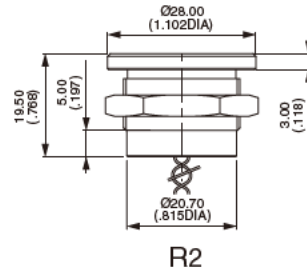


Flat

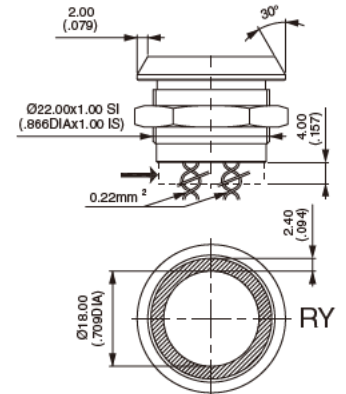
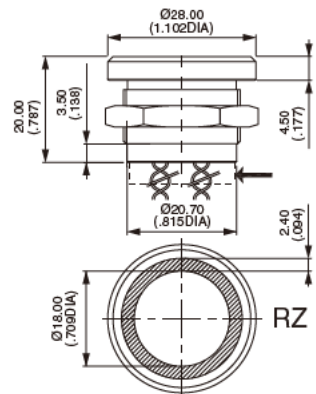
PBARZ

With chamfer

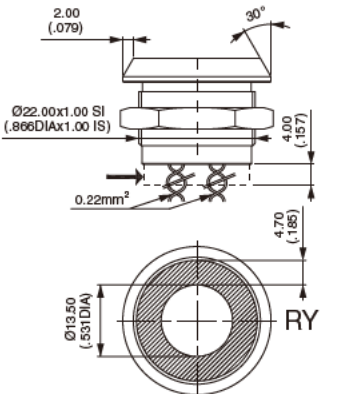
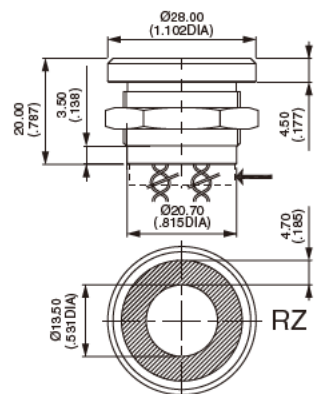
PBARY



→ DIMENSION OF ON-OFF MODELS



→ DIMENSION OF ON-OFF MODELS



PBA series

Piezo switches Ø 22 mm

ELECTRICAL FUNCTIONS

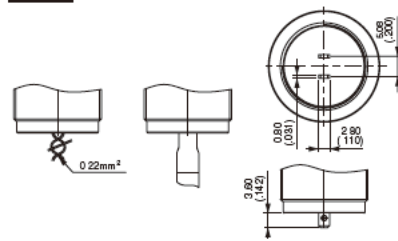


- A NO pulse
- B NC pulse
- 1 ON - OFF - Requires external power supply - Illumination types V, Y and Z only - one LED color only.

TERMINALS



- F Flying leads
- C Cable



CASE COLORS / MATERIALS



- 0 Natural anodized aluminum
- 1 Blue anodized aluminum
- 2 **Black anodised aluminum**
- 3 Green anodized aluminum
- 5 Gold anodized aluminum
- 6 Red anodised aluminum
- B **Stainless steel 316L**

Bold = standard



0 1 2 3 5 6 B

RATINGS



- 000 Standard
- 002 1 A 24 VAC or DC (NO pulse only, function A)

PBA series

Piezo switches Ø 22 mm

TYPE OF ILLUMINATION / VOLTAGE



Blank Non-illuminated



C Thin ring - 5 VDC
D Thin ring - 12 VDC
E Thin ring - 24 VDC
Y Thin ring - μ controller driven



F Large ring - 5 VDC
G Large ring - 12 VDC
H Large ring - 24 VDC
Z Large ring - μ controller driven



L Dot - 5 VDC
P Dot - 12 VDC
J Dot - 24 VDC
V Dot - μ controller driven

⚠ Dot illumination only available with LED colors : 0B, 0G, 0S, 0Y, 0W and SG.

LED COLORS



Blank Non-illuminated

Integrated LED resistor

Illuminated 1 LED *

0B : blue - **0G** : green - **0S** : red - **0Y** : yellow - **0W** : white
SG : red/green (reversed polarity LED - for dot illumination only)

Illuminated 2 LEDs

2A : red/green - **2B** : red/yellow - **2C** : red/blue - **2D** : red/white - **2E** : green/blue - **2F** : green/yellow - **2G** : green/white
2H : blue/yellow - **2I** : blue/white - **2K** : yellow/white

Illuminated 3 LEDs

3A : red/green/blue - **3B** : red/green/yellow - **3D** : red/green/white - **3E** : red/blue/yellow - **3F** : red/blue/white
3G : red/yellow/white - **3H** : green/blue/yellow - **3I** : green/blue/white - **3J** : green/yellow/white - **3K** : blue/yellow/white

* LED color is indicated by protective resin color on bottom of unit.



0B



0G



0S



0Y



0W