

FEATURES

※Multi function (Push & Lever)

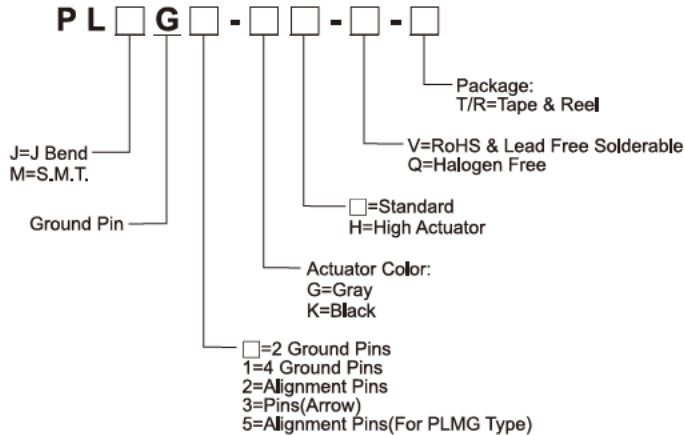
APPLICATION

※Remote controls
 ※Volume control for variety of applications

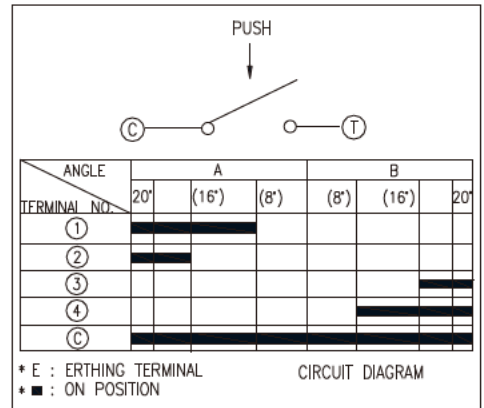
SPECIFICATION

Contact Rating	10mA, 5V DC
Contact Resistance	100mΩ max.
Insulation Resistance	100MΩ min, 100V DC
Dielectric Strength	100V AC/1 minute
Operating Force	40±20gf, Return actuator 150+100/-50gf, Center push direction
Operating Life	100,000 cycles
Operating Temp.	-10°C ~ +70°C
Storage Temp.	-25°C ~ +85°C

HOW TO ORDER



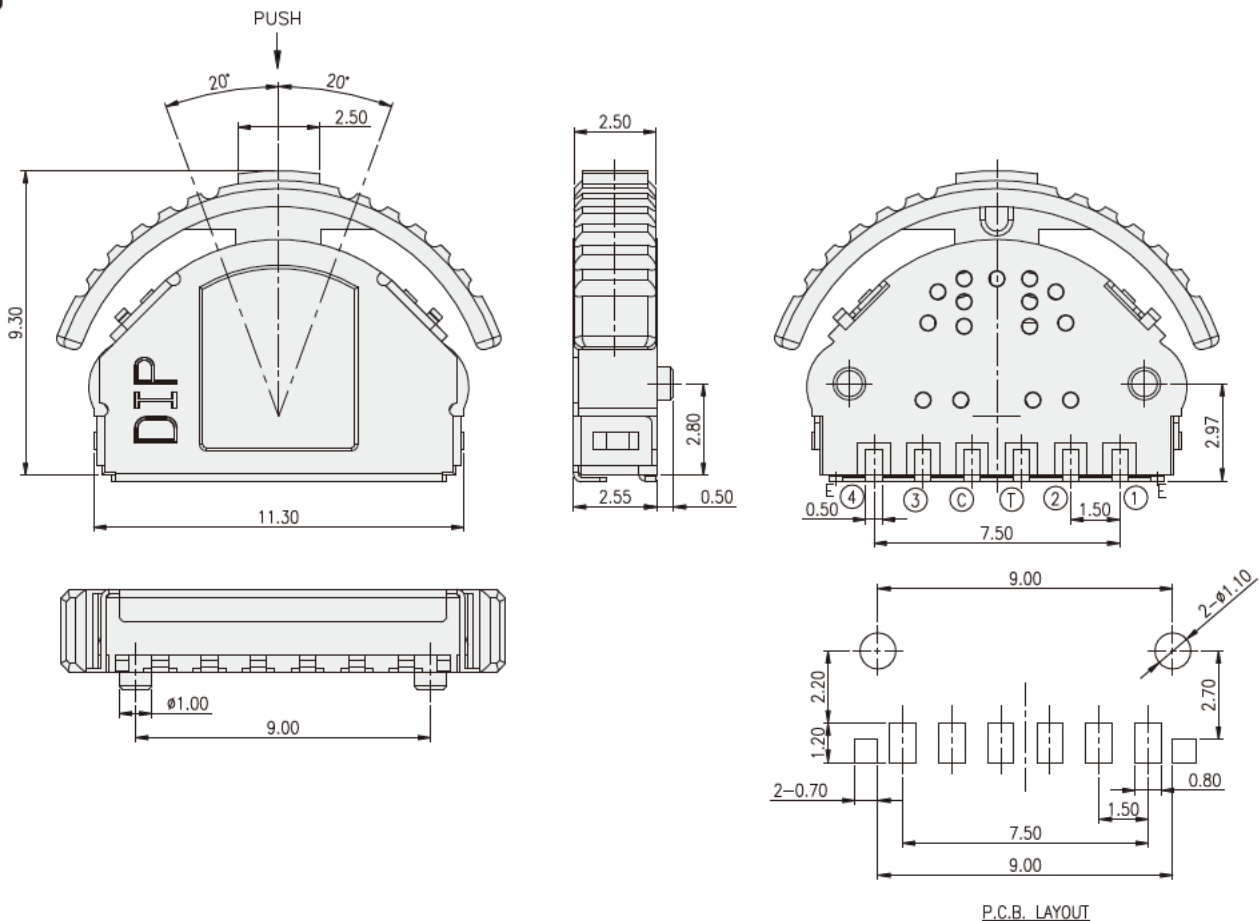
CIRCUIT



PACKAGE

<Tape & Reel>
 PLJ(G), PLJG1: 1000 pcs
 PLJG(2)(3): 800 pcs
 PLMG5: 750 pcs

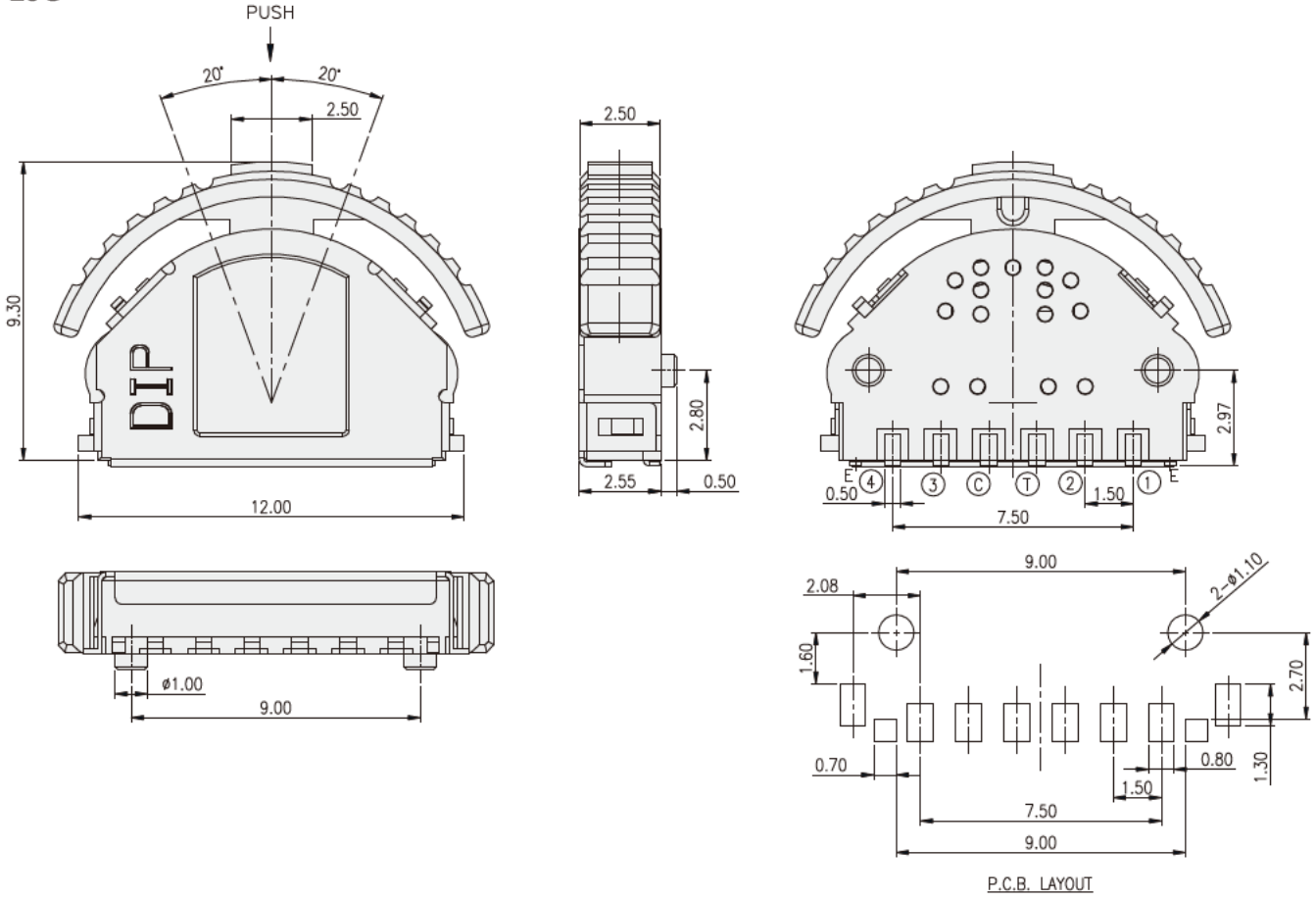
PLJ



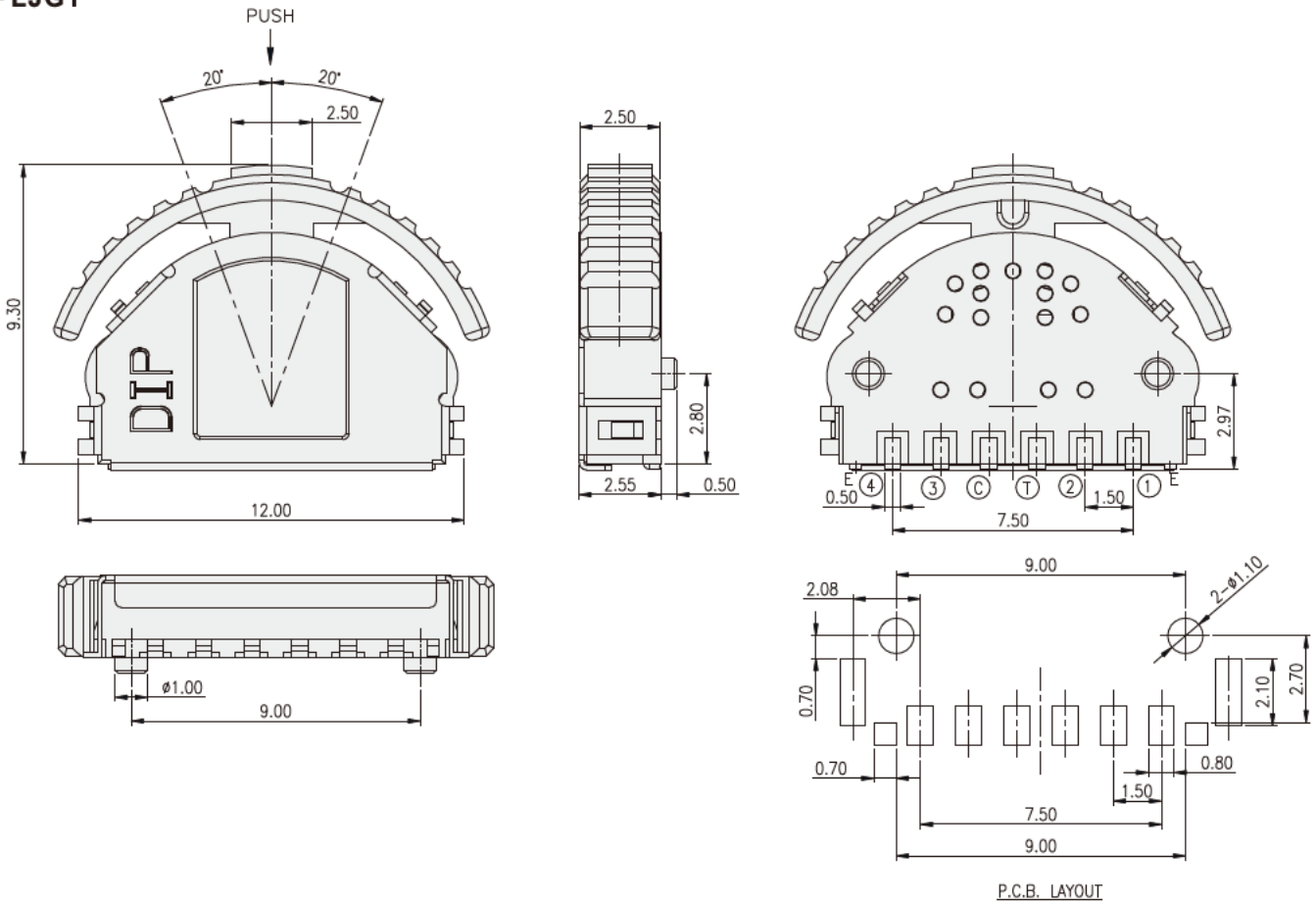
MULTI FUNCTION SWITCH
PL SERIES

**Push & Lever
 Type**

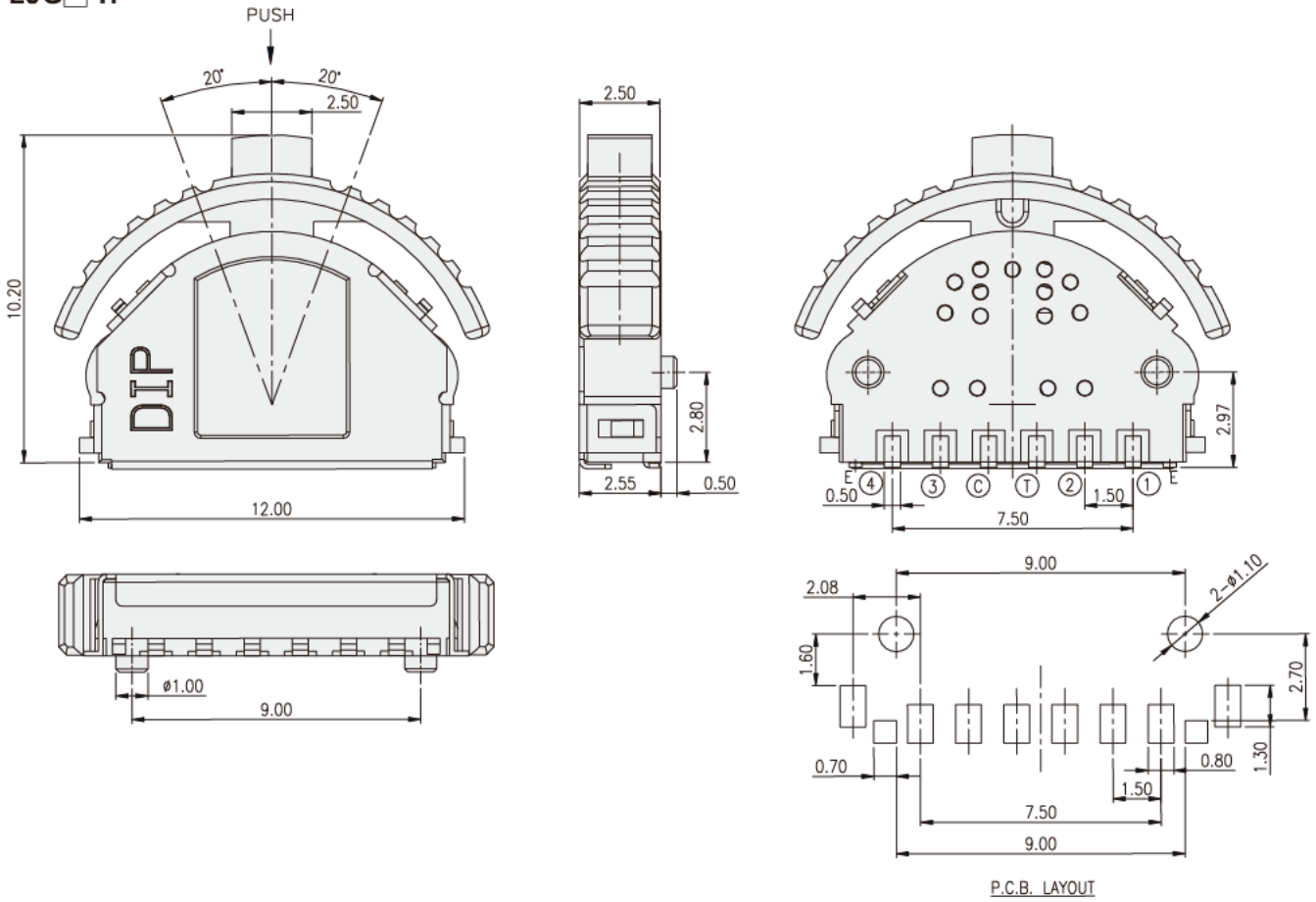
PLJG



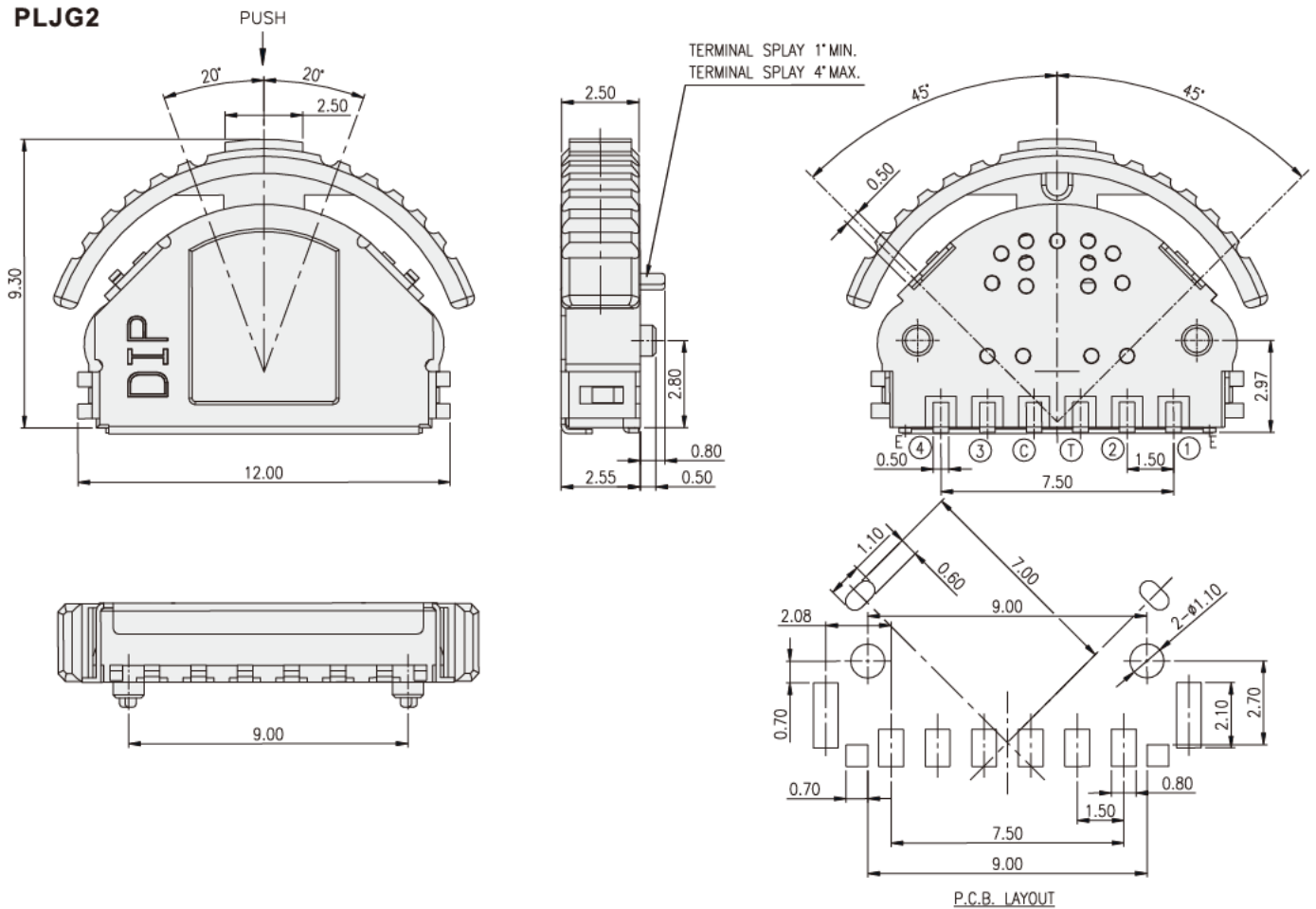
PLJG1



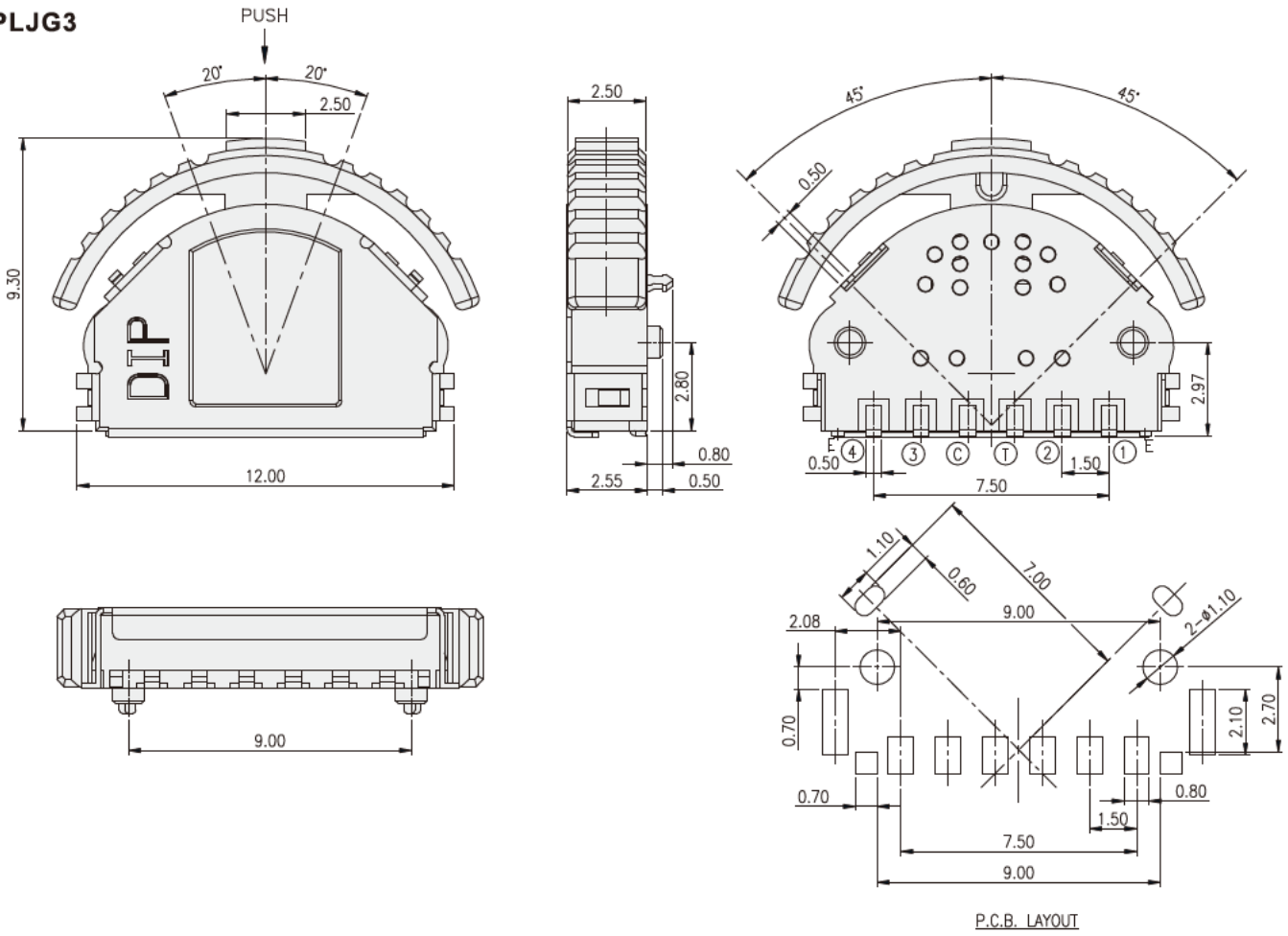
PLJG□-H



PLJG2



PLJG3



PLMG5-H

