

PR series

Stainless steel keypads with round keys



DISTINCTIVE FEATURES

Recessed, flush or raised key according to panel thickness

Rear or front mounting

Compact version: 14 mm round keys

Panel sealed to IP65

Custom markings on request



ENVIRONMENTAL SPECIFICATIONS

- Front sealing : IP65 according to DIN 40050-9
- Operating temperature : -20 °C to +70 °C (-4 °F to +158 °F)
- Storage temperature : -40 °C to +85 °C (-40 °F to +185 °F)
- Impact resistance : IK07 according to EN 50102
- Flame resistance : UL94 HB horizontal position (30 seconds max).
- Salt spray : 96 hours according to IEC 512-6, test 11f
- Washable : most commonly used detergents and solvents



ELECTRICAL SPECIFICATIONS

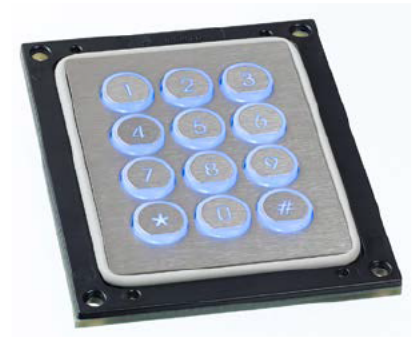
- Output type : matrix (NO contacts)
- Max. current/voltage rating with resistive load : 50 mA at 12 VDC
- Initial contact resistance ON : 10Ω max.
- Insulation resistance : 1GΩ min. at 500 VDC
- LED backlight : 12 VDC (standard version)



GENERAL SPECIFICATIONS

- Contact force : 4 N ± 0.5 N (non-illuminated version)
3.5 N (illuminated version)
- Stroke : 0.5 mm (.019)
- Low level or mechanical life : 1 million cycles
- Panel thickness : 2 mm (.078) (standard version)
- Connection : male connector

The company reserves the right to change specifications without notice.



PR series

Stainless steel keypads with round keys



MATERIALS

- Keytops : 316L stainless steel
- Keys : ABS or PA6 nylon (illuminated versions)
- Key holders : ABS UL VO
- Frame : 304 stainless steel
- PCB : FR4
- Seal : 0.4 mm thick silicone
- Actuator : stainless steel snap domes AISI 304
- Contacts : gold plated

PR series

Stainless steel keypads with round keys



BUILD YOUR PART NUMBER

BASIC PART NUMBER



MODELS

- PRO** Ø 14 (.551) round keys
- PRR** Ø 14 (.551) round keys, smaller PCB size
- PRN** Ø 14 (.551) round keys, navigator layout, 4 or 5 keys



NO OF KEYS

- 01** 1 key
- 04** 4 keys
- 05** 5 keys
- 12** 12 keys
- 16** 16 keys



FRAME

- 0** No frame
- 1** With frame, rear mounting (not available on 1-key models)
- 2** With frame, front mounting (only 12-key PRR models)



ILLUMINATION

- 0** Non-illuminated
- L** Illuminated

OPTIONS



LED COLORS

- XX** No LED
- OR** Red
- OB** Blue
- OG** Green
- OY** Yellow



VOLTAGE

- XX** Without
- 05** 5 VDC
- 12** 12 VDC
- 24** 24 VDC



MARKING

- 0** Blank keys
- S** Standard marking
- C** Custom marking



ABOUT THIS SERIES

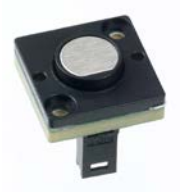
Some configurations are shown on the following pages. Other drawings are available on request.

⚠ Notice : please note that not all combinations of above numbers are available. Refer to the following pages for further information.

PR series

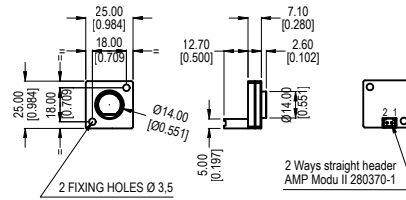
Stainless steel keypads with round keys

SINGLE KEY MODEL - NON-ILLUMINATED

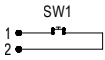


PR00100

Customer Panel CUT-OUT Ø 14.5 mm



Schematic

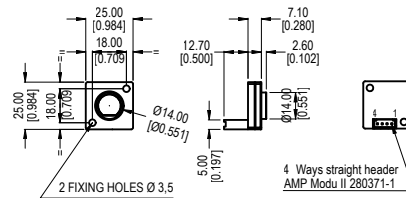


SINGLE KEY MODEL - ILLUMINATED

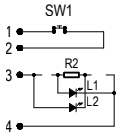


PR0010L

Customer Panel CUT-OUT Ø 14.5 mm



Schematic

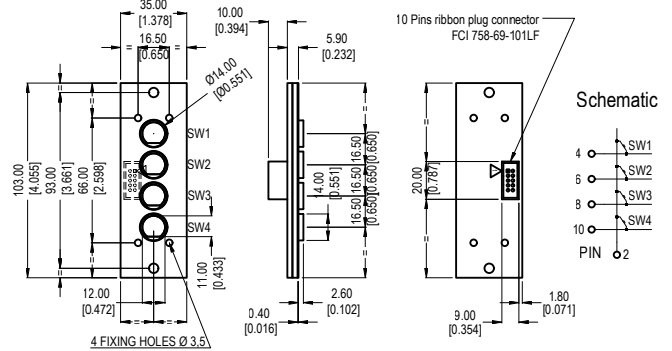


4-KEY MODEL - NON-ILLUMINATED

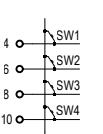


PR00400

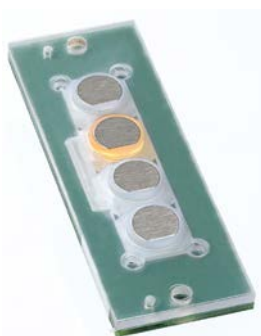
Customer panel CUT-OUT: (Panel thickness from 1,5 to 2,5 mm) n. 4 holes diam 14,5 +0,1/-0 mm



Schematic

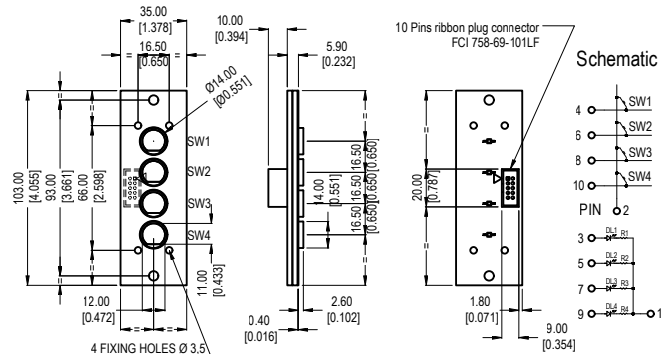


4-KEY MODEL - ILLUMINATED

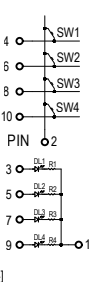


PR0040L

Customer panel CUT-OUT: (Panel thickness from 1,5 to 2,5 mm) n. 4 holes diam 14,5 +0,1/-0 mm



Schematic



PR series

Stainless steel keypads with round keys

12-KEY MODEL - ILLUMINATED



PR0120L

12-KEY MODEL - WITH FRAME REAR MOUNTING - NON ILLUMINATED



PR01210

12-KEY MODEL - WITH FRAME REAR MOUNTING - ILLUMINATED

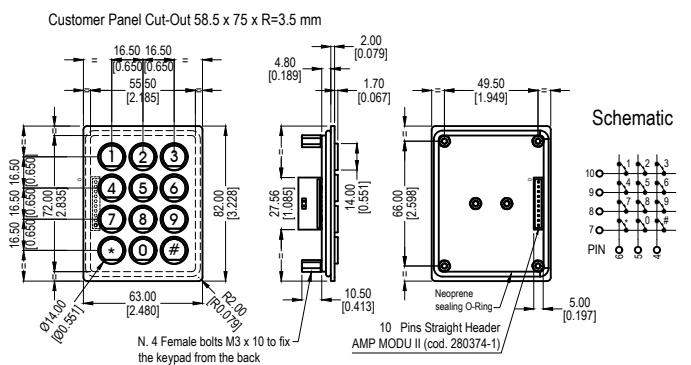
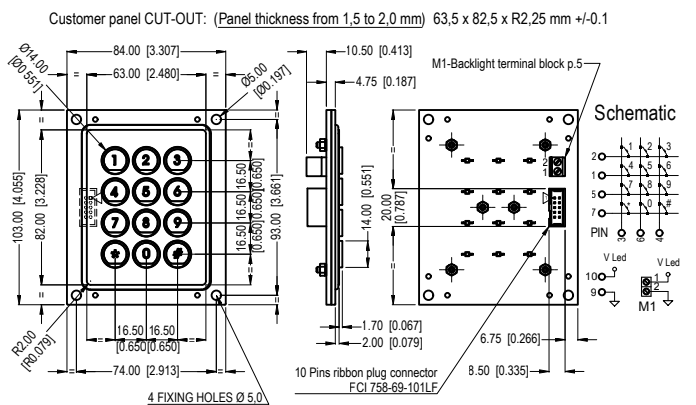
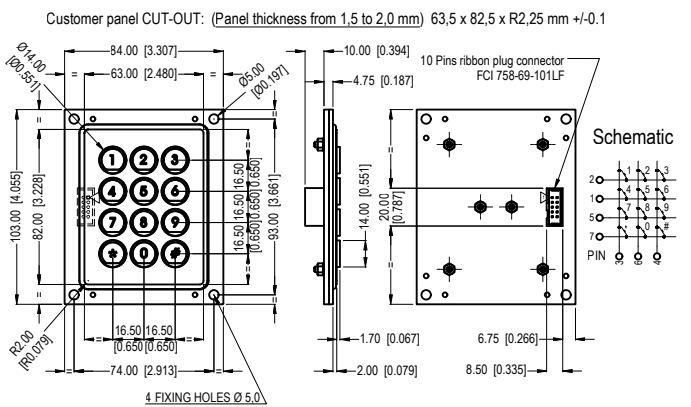
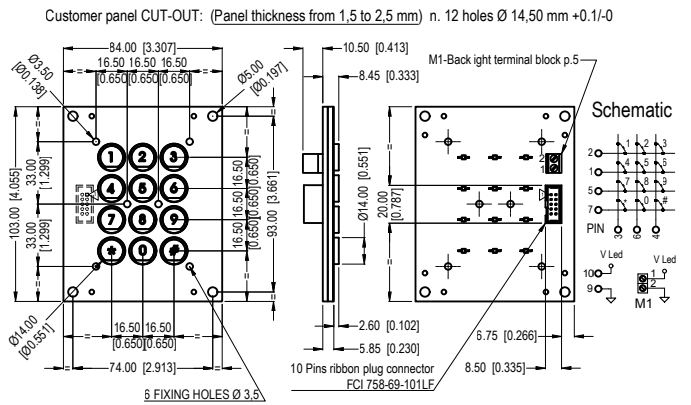


PR0121L

12-KEY MODEL - WITH FRAME SMALLER PCB SIZE - NON ILLUMINATED



PRR1220



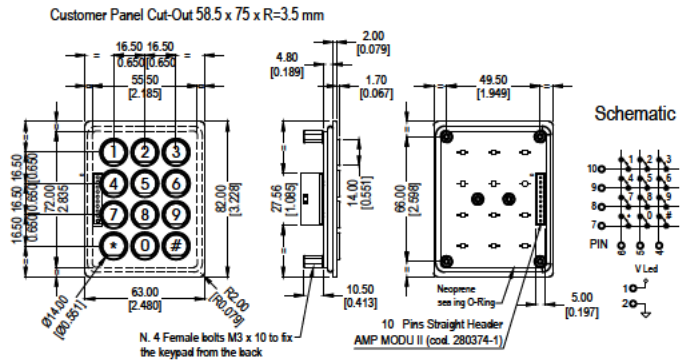
PR series

Stainless steel keypads with round keys

12-KEY MODEL - WITH FRAME SMALLER PCB SIZE - ILLUMINATED



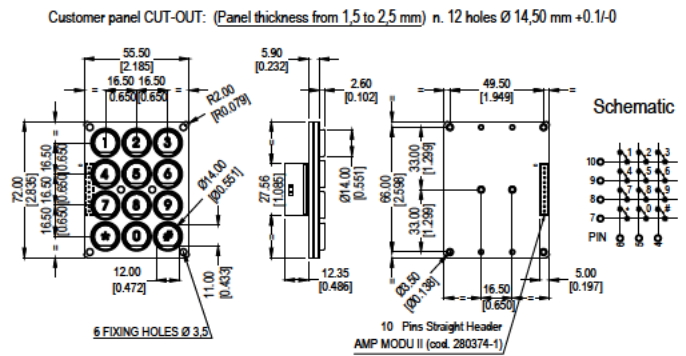
PRR122L



12-KEY MODEL - SMALLER PCB SIZE NON ILLUMINATED



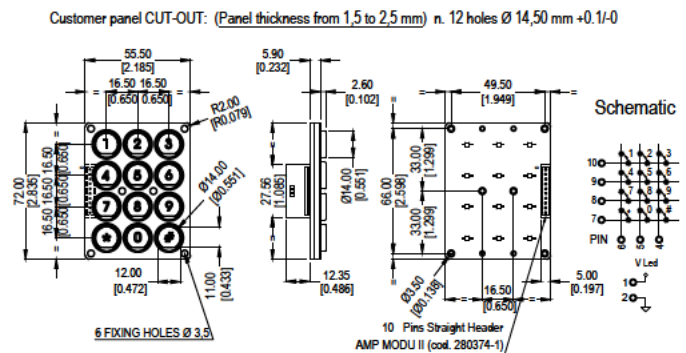
PRR1200



12-KEY MODEL - SMALLER PCB SIZE ILLUMINATED



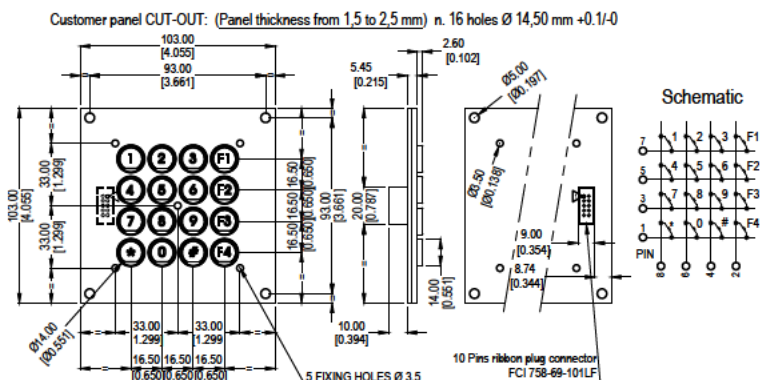
PRR120L



16-KEY MODEL - NON ILLUMINATED



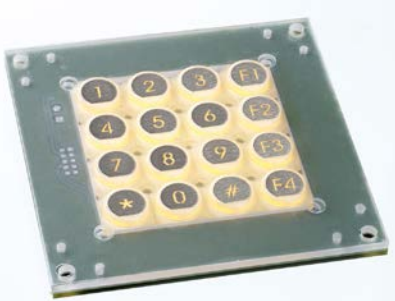
PR01600



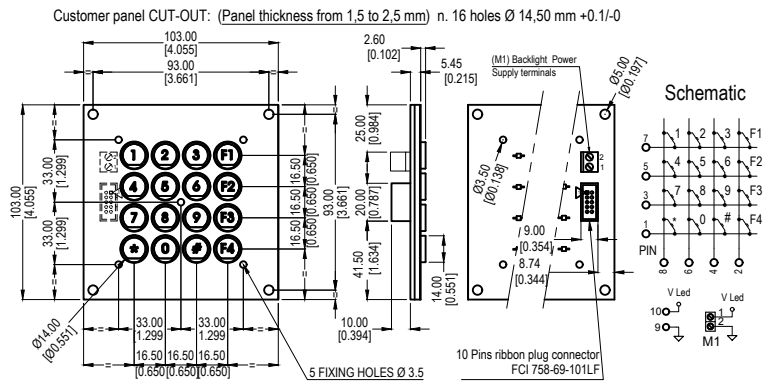
PR series

Stainless steel keypads with round keys

16-KEY MODEL - ILLUMINATED



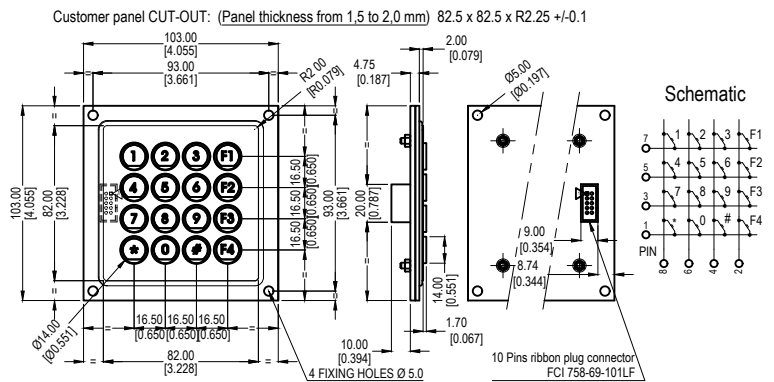
PR0160L



16-KEY MODEL - WITH FRAME REAR MOUNTING - NON ILLUMINATED



PR01610



16-KEY MODEL - WITH FRAME REAR MOUNTING - ILLUMINATED



PR0161L

