

Part Number: PSC 175/30 (Alternate Part No: S1257)
Proximity Switch - Reed Switch based
Rectangular - Change Over Contacts - Suggested Magnet: PSM

PICTURE



✓RoHS Compliant

APPLICATIONS INCLUDE

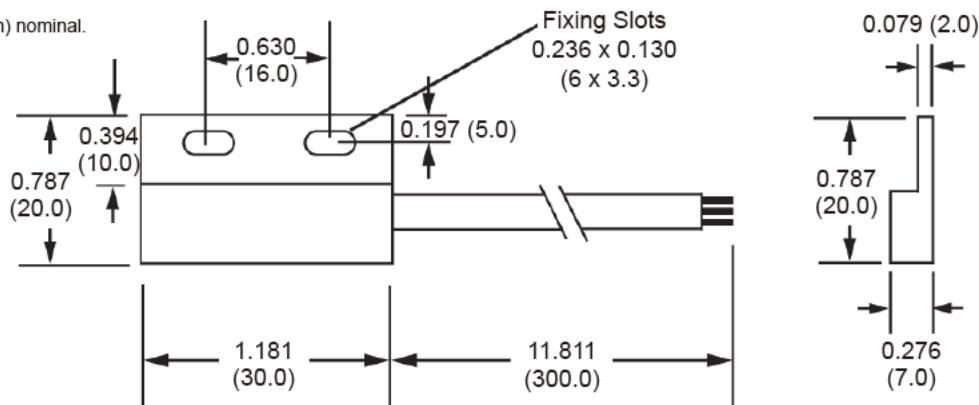
- Position and limit sensing
- Linear actuators
- Security system switch
- Door Switch

OPTIONS

- Color: Standard = Blue housing / Grey wire.
Also available Black housing / Black wire.
- Cable entry: Standard = Right hand entry. Also available Left hand entry.
- Custom cable lengths, strip lengths, cable types, terminations.
- If you do not see what you need, just ask, as there is a strong possibility we can do it !
- Device is intended to be mounted in an enclosure under UL recognition.

DIMENSIONS

Drawings not to scale.
 All dimensions in inches (mm) nominal.



SPECIFICATION

Contact Form / Style	Change Over
Switching Capacity (Resistive)	5 W/VA Max
Switching Voltage	100 VAC Max
Switching Current	0.5 A Max
Carry Current	1.0 A Max
Breakdown Voltage	200 VDC Min
Contact Resistance	150 mOhms Max
Switching Distance	8 mm Min
Operating Temperature Range	-20°C +85°C
Storage Temperature Range	-25°C +90°C
Case Material	Blue Nylon 66
Cable	3 x Round 0.14mm ² PVC covered Grey and Insulated Brown / White / Green