

**Part Number: PSB 175/30 (Alternate Part No: S1271)**  
**Proximity Switch - Reed Switch based**  
**Rectangular - Normally Closed Contacts - Suggested Magnet: PSM**

**PICTURE**



**✓RoHS Compliant**

**APPLICATIONS INCLUDE**

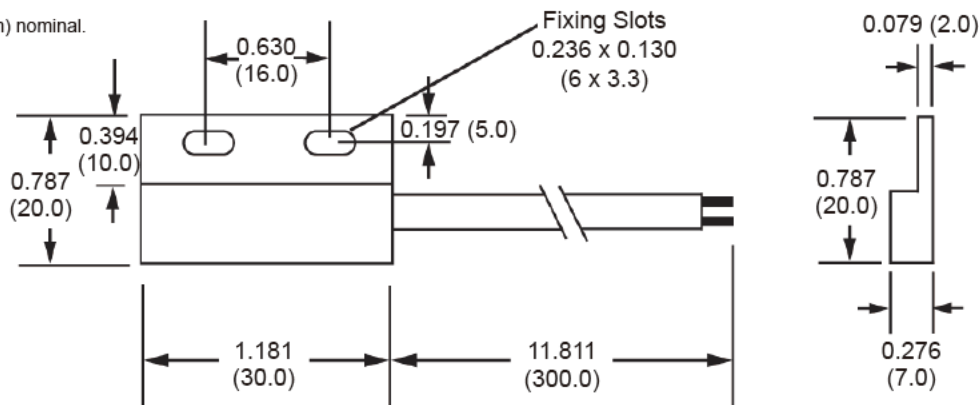
- Position and limit sensing
- Linear actuators
- Security system switch
- Door Switch

**OPTIONS**

- Color: Standard = Blue housing / Grey wire. Also available Black housing / Black wire.
- Cable entry: Standard = Right hand entry. Also available Left hand entry.
- Custom cable lengths, strip lengths, cable types, terminations.
- If you do not see what you need, just ask, as there is a strong possibility we can do it !
- Device is intended to be mounted in an enclosure under UL recognition.

**DIMENSIONS**

Drawings not to scale.  
 All dimensions in inches (mm) nominal.



**SPECIFICATION**

Contact Form / Style	Normally Closed
Switching Capacity (Resistive)	5 W/VA Max
Switching Voltage	150 VAC Max
Switching Current	0.5 A Max
Carry Current	1.0 A Max
Breakdown Voltage	200 VDC Min
Contact Resistance	150 mOhms Max
Switching Distance	8 mm Min
Operating Temperature Range	-20°C +85°C
Storage Temperature Range	-25°C +90°C
Case Material	Blue Nylon 66
Cable	2 x Round 0.14mm <sup>2</sup> PVC covered Grey and Insulated Brown / White

As part of the company policy of continued product improvement, specifications may change without notice. Our sales office will be pleased to help you with the latest information on this product range and the details of our full design and manufacturing service. All products are supplied to our standard conditions of sale unless otherwise agreed in writing.