

PT65 series

Rotary code switches



DISTINCTIVE FEATURES

- 4 actuator types
- Sub-miniature size
- Solder and flux sealed, washable



ENVIRONMENTAL SPECIFICATIONS

- Operating temperature: -20 °C to +70 °C (-4 °F to +167 °F)



ELECTRICAL SPECIFICATIONS

- Operating voltage : ≤ 42 V
- Contact load, static : ≤ 0.2 A
- Contact load, dynamic : ≤ 0.15 A
- Initial contact resistance : 80 m Ω max.
- Insulation resistance : 100 M Ω min.



MECHANICAL SPECIFICATIONS

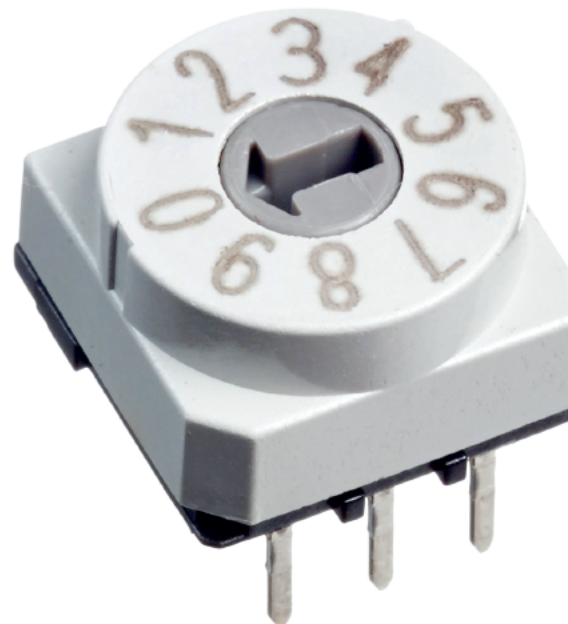
- Torque (typically) : 1.7 Ncm min
- Expected life : 30,000 steps



MATERIALS

- Base : UL94-V0, high temperature thermoplastic
- Cover : UL94-V0, high temperature thermoplastic
- Actuator : PA 4.6 nylon
- Contacts : gold over nickel plated phosphor bronze
- Terminals : tin plated

The company reserves the right to change specifications without notice.



PT65 series

Rotary code switches



SOLDERING

- DIN CEI 68-2-20
- Manual soldering : 340 °C (644 °F) max. for 2 seconds max.
- Wave soldering : 260 °C (500 °F) max. for 3 seconds max.



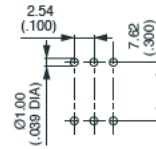
PACKAGING

- Switches for screwdriver slot or accessory actuation (PT651 and PT657) : tubes of 50 pieces
- Accessories : bag of 50 pieces

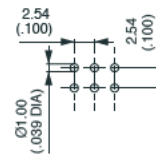


PCB MOUNTING

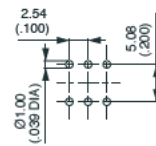
PCB STRAIGHT



PCB RIGHT ANGLE 2.54



PCB RIGHT ANGLE 5.08

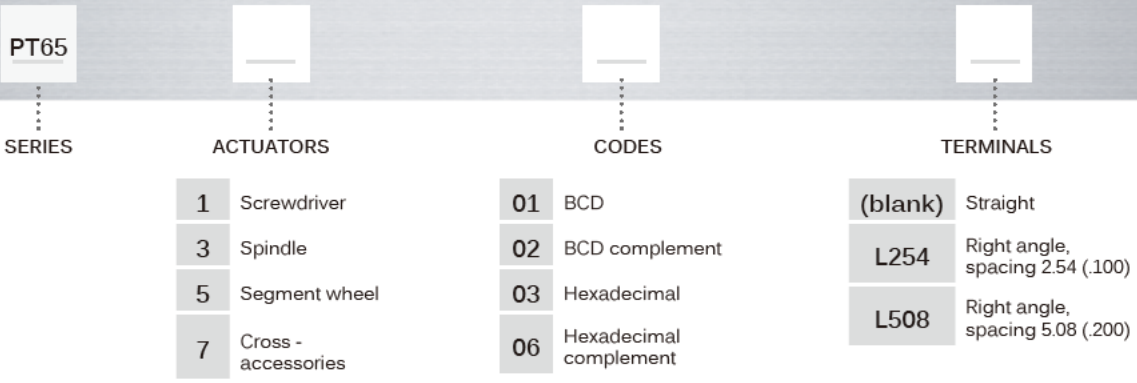


PT65 series

Rotary code switches

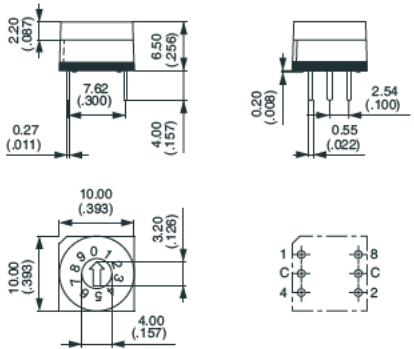
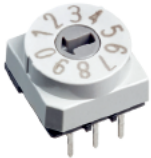


BUILD YOUR PART NUMBER



	SCREWDRIVER		SPINDLE	SEGMENT WHEEL		ACCESSORIES
	Upper actuation	Side actuation	Upper actuation	Upper actuation	Side actuation	Upper actuation
BCD	PT65101	PT65101L254 PT65101L508	PT65301	PT65501	-	PT65701
BCD COMPLEMENT	PT65102	-	-	PT65502	-	-
HEXADECIMAL	PT65103	PT65103L254 PT65103L508	PT65303	PT65503	PT65303L254	-
HEXADECIMAL COMPLEMENT	PT65106	-	-	-	-	-

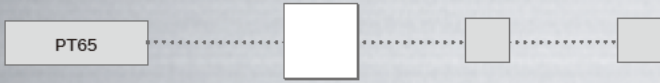
DIMENSIONS



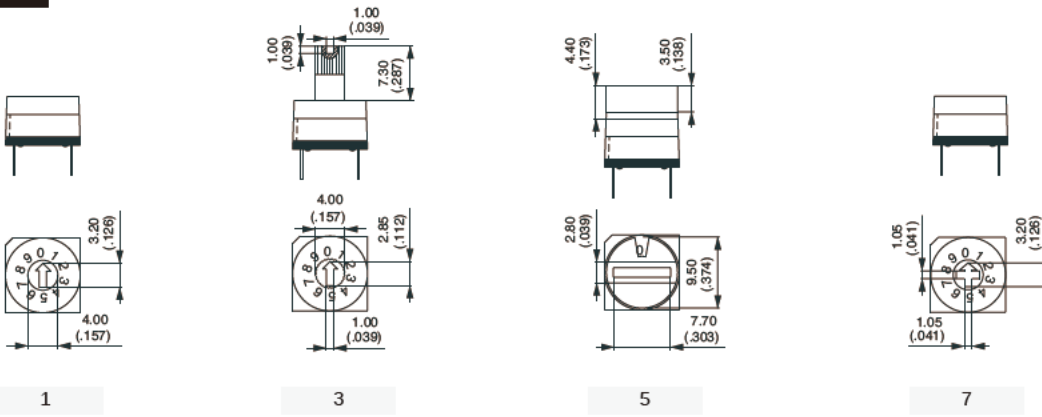
PT65 series

Rotary code switches

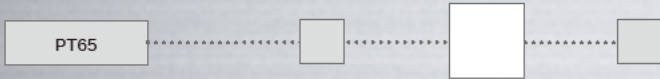
ACTUATORS



- 1 Screwdriver
- 3 Spindle (grey)
- 8 Segment wheel (grey)
- 7 Cross - accessories (see next page)



CODES



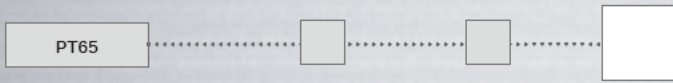
- 01 BCD
- 02 BCD complement
- 03 Hexadecimal
- 06 Hexadecimal complement

POSITION	MARKING	POSITION	MARKING	POSITION	MARKING	POSITION	MARKING
0	C	0	C	0	C	0	C
1	1	1	1	1	1	1	1
2	2	2	2	2	2	2	2
3	4	3	4	3	4	3	4
4	8	4	8	4	8	4	8
5		5		5		5	
6		6		6		6	
7		7		7		7	
8		8		8		8	
9		9		9		9	
10		10		10	A	10	A
11		11		11	B	11	B
12		12		12	C	12	C
13		13		13	D	13	D
14		14		14	E	14	E
15		15		15	F	15	F

PT65 series

Rotary code switches

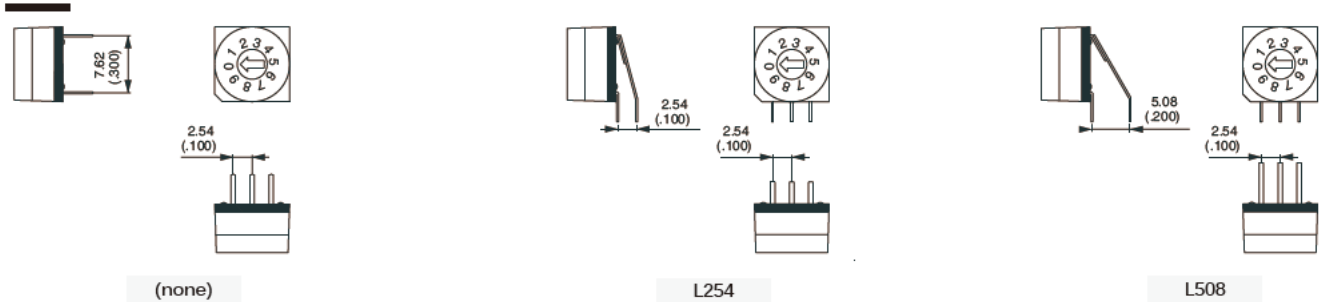
TERMINALS



(blank) Straight

L254 Right angle, spacing 2.54 (.100)

L508 Right angle, spacing 5.08 (.200)



ACCESSORIES

To order separately.

ACCESSORIES ADAPTED TO YOUR APPLICATIONS

Basic model PT657 has been designed to accept different actuators with snap-in connection.

According to your application, you can choose between spindles or plastic knobs in two different lengths and a $\varnothing 17$ mm (.669) knurled wheel for lateral marking.

Standard colours are shown below. Special colours are also available on request.

		P/N	COLORS	DIMENSIONS	
SPINDLES	Length 11.6 mm (standard)	U4822	black		
		U4824	grey		
	Length 13.3 mm	U4832	black		
PLASTIC KNOBS	Length 5.3 mm (standard)	U4906	red		
		U4916	red		
	Length 15.7 mm				
	Length 4.4 mm	U4941	blue		
		U4943	green		
		U4944	grey		
U4945		yellow			
	U4946	red			
KNURLED WHEEL (unmarked - marking on request)	U4847/1	white/black			