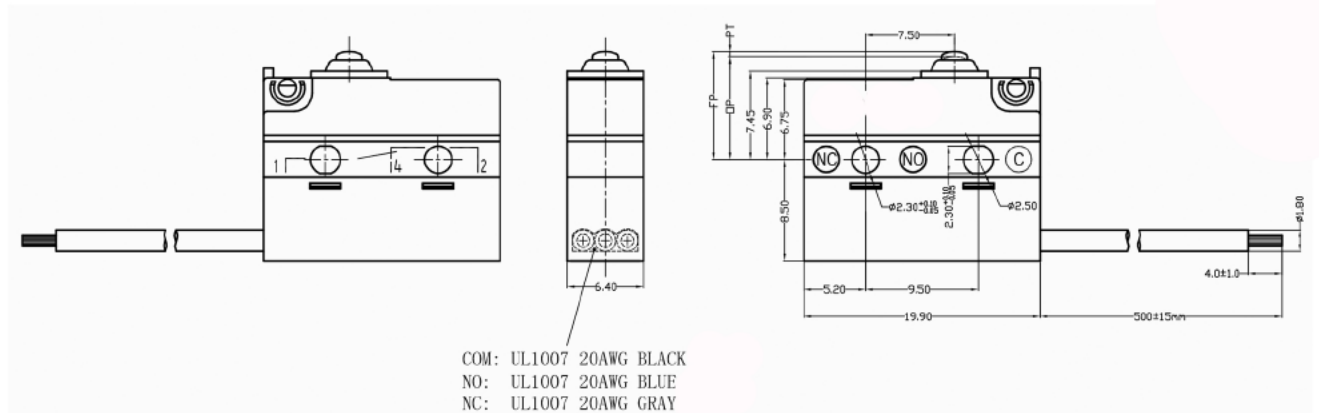
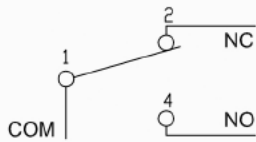


## Specifications

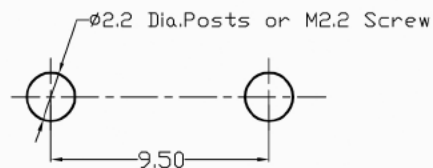
Rating:	3A 250VAC
Protection Level:	IP67
Operating Force:	105gf
Contact Resistance:	50mΩ Max
Insulation Resistance:	100MΩ Min 500VDC
Electrical Life:	100,000+ Cycles



### Circuit Diagram



### Mounting Hole Dimensions



Description	Ref Code
Push Button Waterproof Prewired Microswitch SPDT 3A IP67	481697