
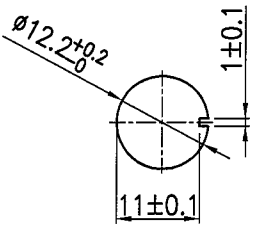
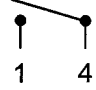
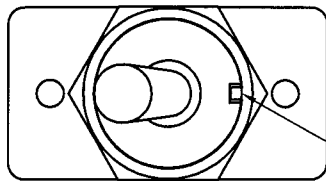


Rating	3A 125V AC/1.5A 250V AC 	Mounting Hole	Circuit Diagram
Contact Resistance	50m ohm Max		
Insulation Resistance	DC 500V 100M ohm Min		
Dielectric Strength	AC 1000V 1 minute		
Operation Tempature	-25°C~85°C		
Switch Function	2P SPST ON-OFF		

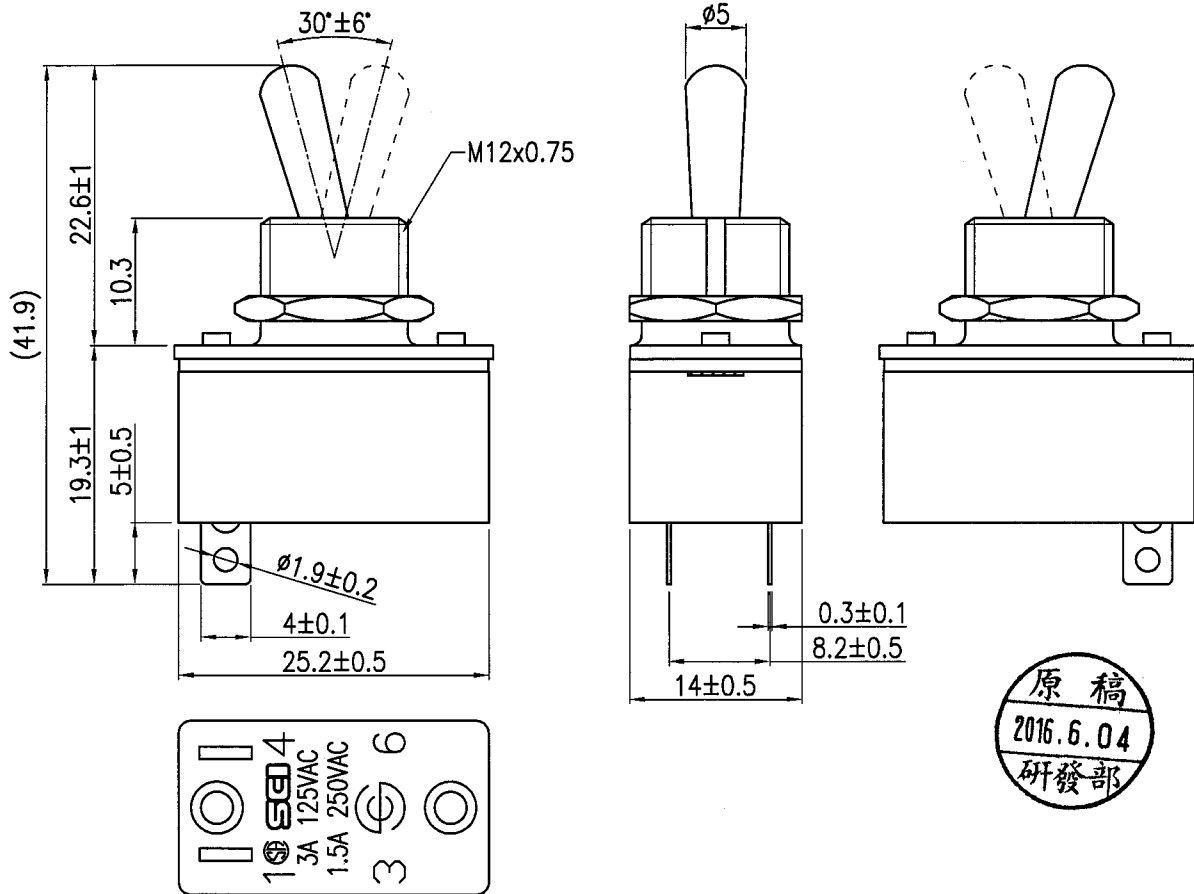


ON OFF

Key way

Material:
 Frame: Black, PF
 Toggle: Copper Alloy, Ni Plated
 Terminals: Copper Alloy

1 HEX NUT ASSY



Tolerances Unless Otherwise Specified ± 0.3