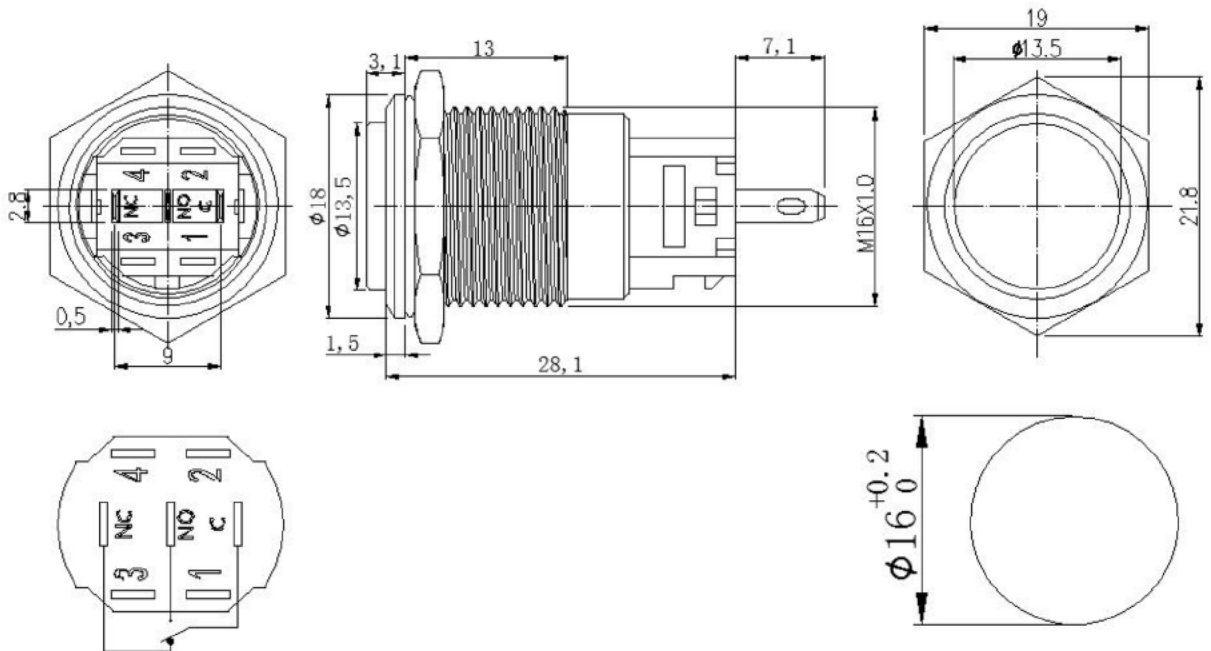


## Specifications

Rating:	5A 250VAC
Protection Level:	IP65
Housing Material:	Stainless Steel
Contacts:	1NO/1NC
Contact Resistance:	50mΩ Max
Insulation Resistance:	100MΩ Min
Dielectric Strength:	1800VAC 1 minute
Operating Temperature:	-25°C to +85°C



Description	Ref Code
Raised Button On-On Latching 16mm Vandal Push Switch SPDT	484997