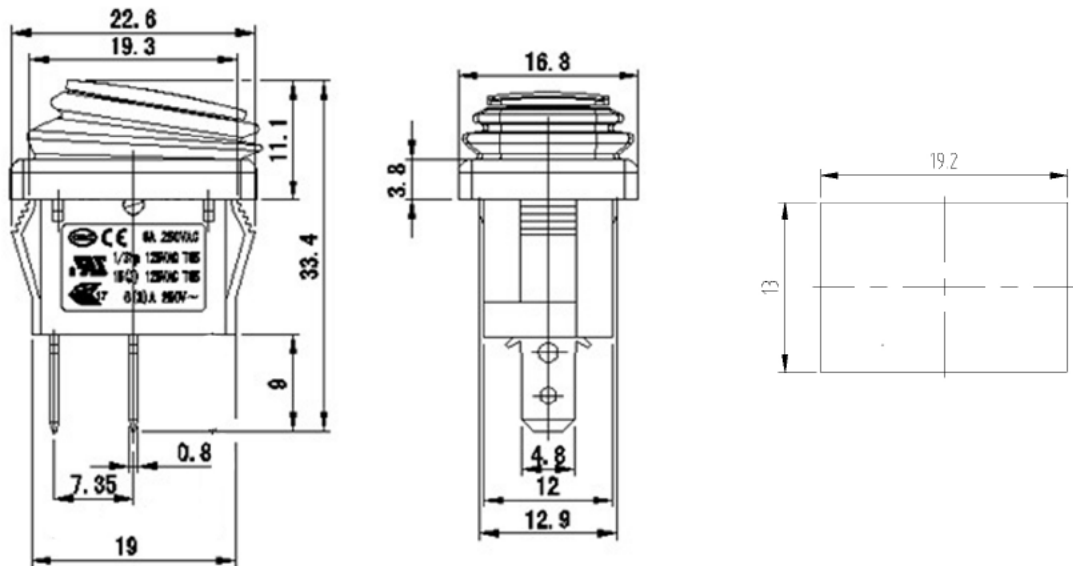


Specifications

Rating:	6A 250VAC, 10A 125VAC
Protection Level	IP65
Contact Resistance:	50mΩ Max
Insulation Resistance:	1000MΩ Min
Dielectric Strength:	1500VAC 1 minute
Operating Temperature:	-25°C to +85°C
Electrical Life:	10,000+ Cycles



Description	Ref Code
Rectangle On-Off Waterproof Rocker Switch 6A SPST IP67	481642