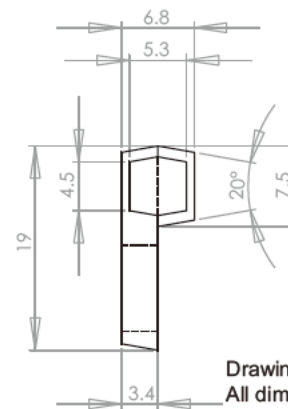
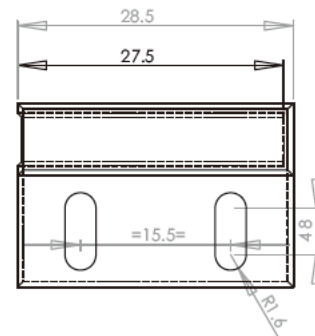


Rectangular Encapsulated Magnet
Part Number : PRM-SP-004 **RS 811 0745**
Product Data Sheet

PICTURE

DIMENSIONS



Drawings not to scale
 All dimensions in mm nominal

✓ **RoHS Compliant**

SPECIFICATION

Length	mm	28.5
Width	mm	19
Depth	mm	6.8
Case Material		Glass filled Nylon
Gauss Strength at Surface (Typical)		1100
Operating Temperature (Max)	Celcius	115

Applications Include

- Position and limit sensing.
- Linear actuators.
- Security system switch.
- Door Switch.

Options

- Available in various plastic materials.
- Customised Gauss strengths available.
- If you do not see what you need, just ask, as there is a strong possibility we can do it !

Rev. No.

Revision Note

Date

Signature

1

Datasheet

29-06-12

ML