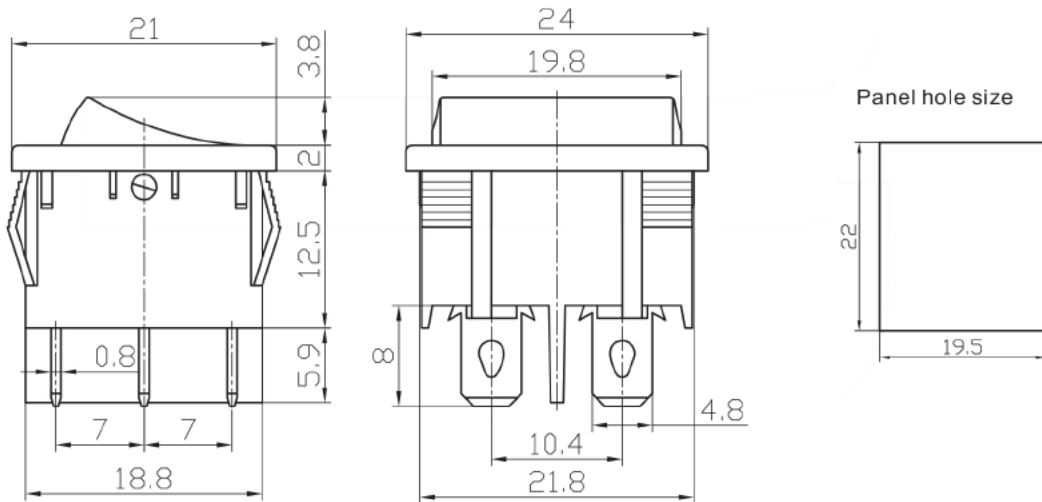


## Specifications

Rating:	6(4)A 250VAC, 10A 125VAC
Housing Material:	Nylon 66
Contact Material:	Silver Plated Brass
Contact Resistance:	50mΩ Max
Insulation Resistance:	100MΩ Min
Dielectric Strength:	1500VAC 1 minute
Operating Temperature:	-20°C to +55°C
Electrical Life:	10,000+ Cycles



Description	Ref Code
Rectangular On-Off Rocker Switch DPST 10A	130038