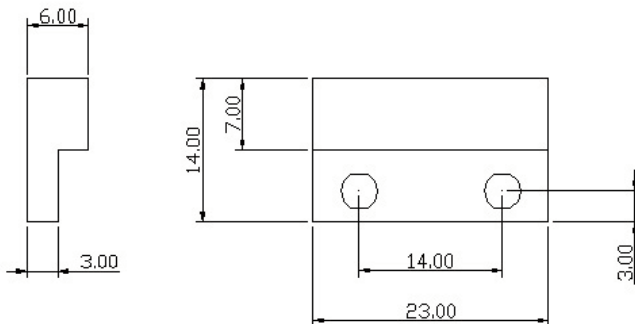


# PRODUCT DATA SHEET



Drawings not to scale  
All dimensions in mm nominal

## SPECIFICATION

Case Material	Glass Filled Nylon
Operating Temperature	
Continuous	-40°C + 105°C
Intermittent	-45°C + 105°C
Storage Temperature	-65°C + 105°C

**Applications include:**

- Position and limit sensing.
- Security system switch.
- Linear actuators
- Door Switch

**Options:**

- Colour: Standard = Blue housing. Also available Black housing.

**MINIATURE ENCAPSULATED MAGNET**

**PART NUMBER**  
**MPSM**

Rev. No.	Revision Note	Date	Signature
A	Provisional	09/05/05	NG



ISO 9001:2000  
Reg. No. FM 21080

As part of the company policy of continued product improvement, specifications may change without notice. Our sales office will be pleased to help you with the latest information on this product range and the details of our full design and manufacturing service. All products are supplied to our standard conditions of sale unless otherwise agreed in writing.

