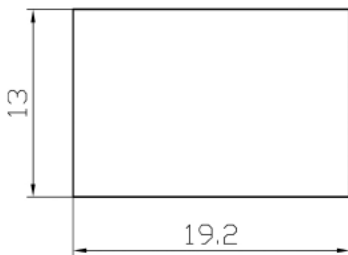


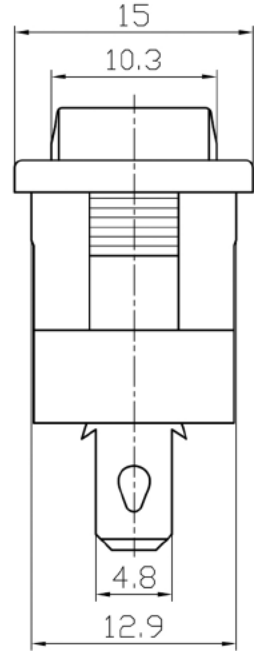
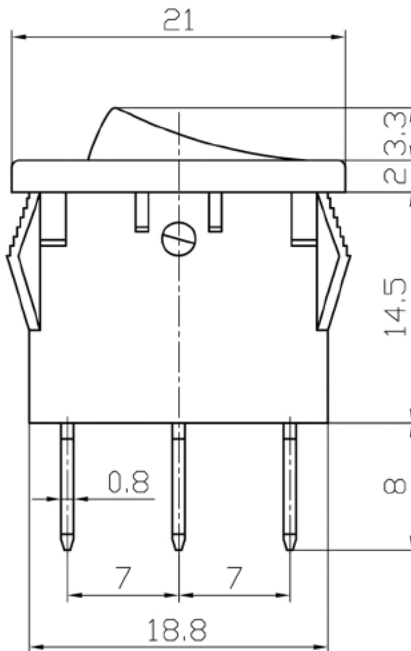
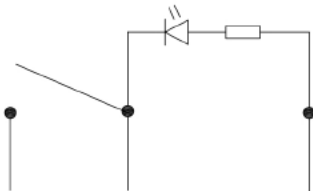
Specifications

Rating:	15A 12VDC
Contact Resistance:	35mΩ Max
Insulation Resistance:	100MΩ Min
Dielectric Strength:	1500VAC 1 minute
Operating Temperature:	-25°C to +85°C
Electrical Life:	10,000+ Cycles

Mounting



Circuitry



Description	Ref Code
Red 12V illuminated Rectangle Rocker Switch SPST 15A	483259