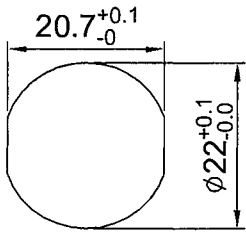
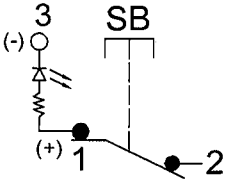
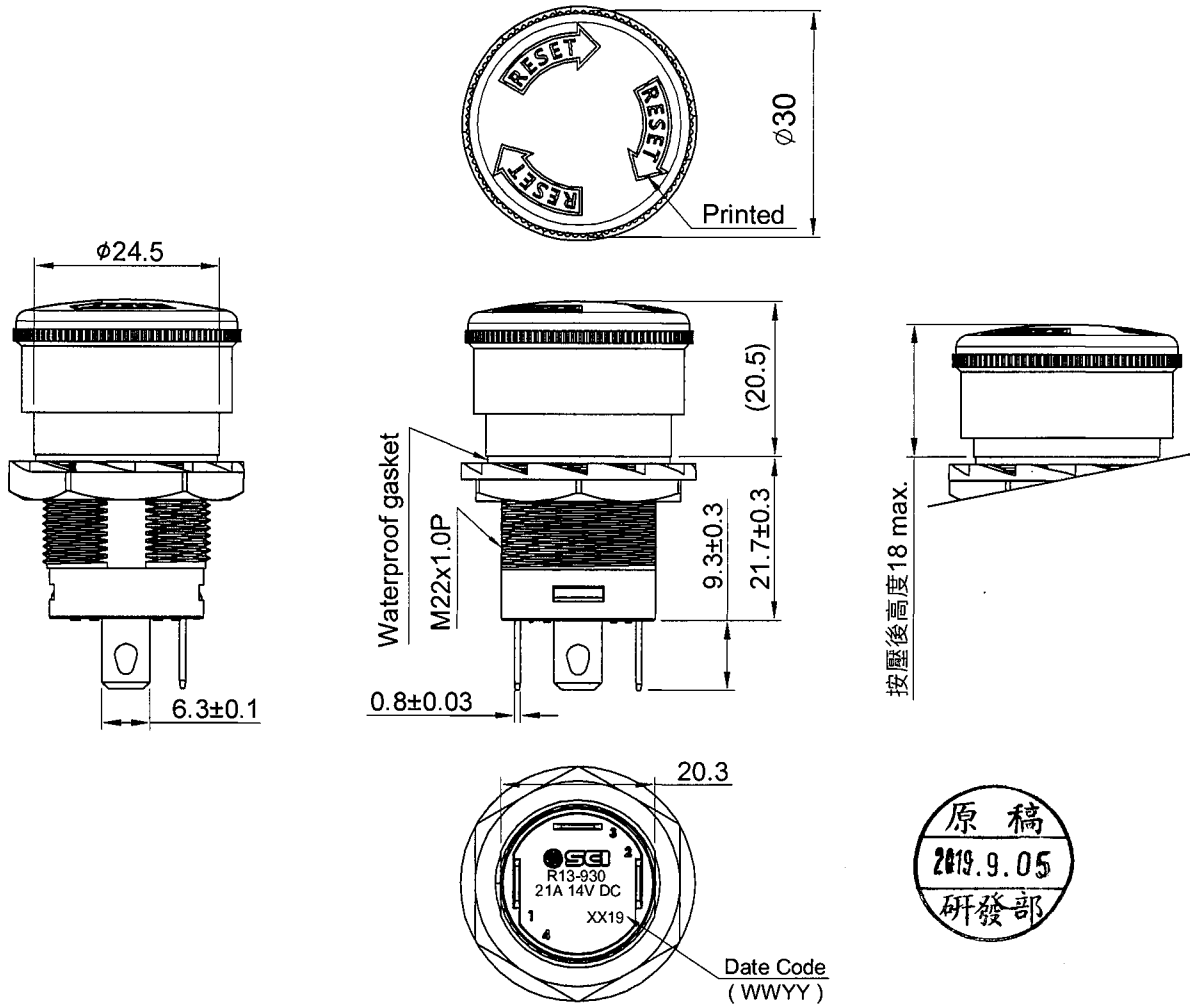


Rating	21A 14V DC		
Contact Resistance	50m ohm Max.		
Insulation Resistance	DC 500V 100M ohm Min.		
Dielectric Strength	AC 1500V 1 minute		
Operation Temperature	-20°C~85°C		
Switch Function	3P SPST-NC		

***Material:**

1. Frame: Nylon-66 (94V-2).
2. Pushbutton: PC, transparent red.
3. Bottom: Nylon-66 (94V-2).
4. Terminal: Silver plated copper.
5. Waterproof gasket : Epdm.

*Sealed: IP56 when supplied with panel seal.



Tolerance: ±0.3mm unless otherwise specified.