

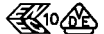
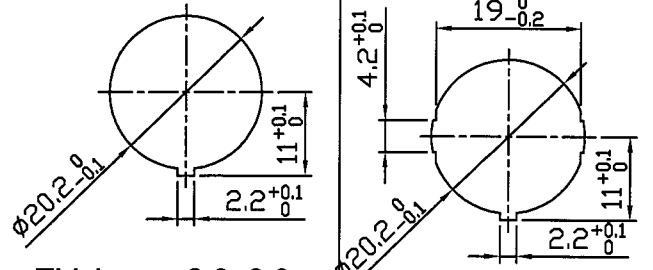
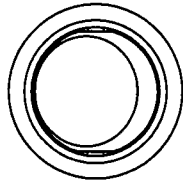
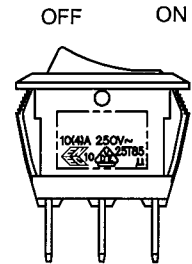
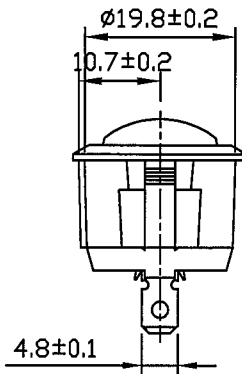
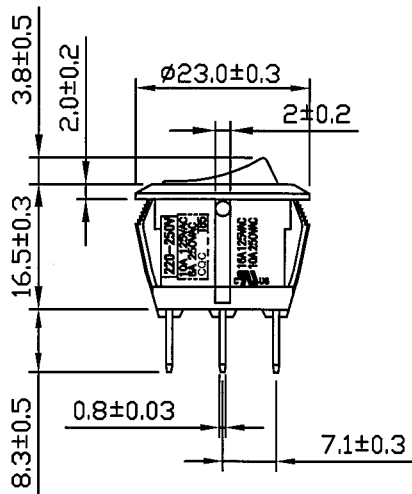
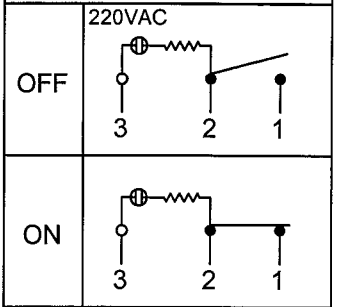


Rating	16A 125VAC, 10A 250VAC 	Mounting Hole
	10A 125VAC, 6A 250VAC 	
	10(4)A 250V~ 	
Contact Resistance	50m ohm Max.	
Insulation Resistance	DC 500V 100M ohm Min.	
Dielectric Strength	AC 1500V 1 minute	
Operation Temperature	-25°C~85°C	
Switch Function	3P SPST ON-OFF (Neon dependent)	



Material:
 Frame: Nylon#66, Black
 Actuator: PC, Red clear
 Printed: None

Circuit Diagram



原稿
 2014.10. - 1
 研發部