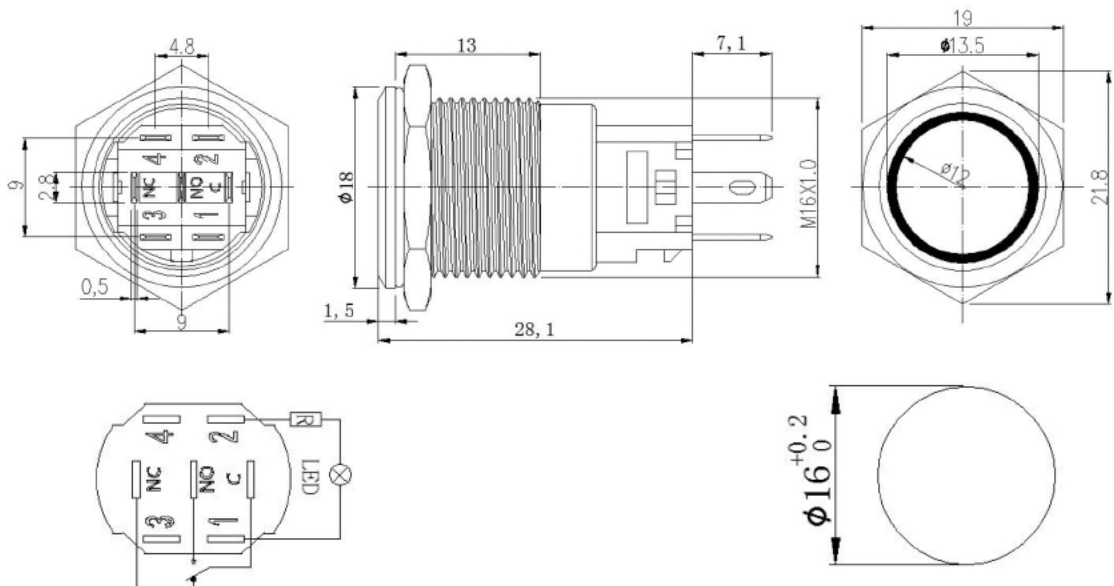


Specifications

| | |
|------------------------|------------------|
| Rating: | 3A 250VAC |
| Protection Level: | IP65 |
| LED illumination: | 12V |
| Housing Material: | Stainless Steel |
| Contacts: | 1NO/1NC |
| Contact Resistance: | 50mΩ Max |
| Insulation Resistance: | 1000MΩ Min |
| Dielectric Strength: | 2000VAC 1 minute |
| Operating Temperature: | -25°C to +85°C |



| Description | Ref Code |
|--|----------|
| Red LED Power On-On Latching 16mm Vandal Push Switch SPDT | 484986 |