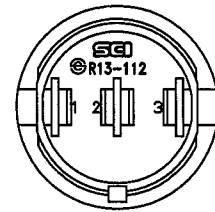
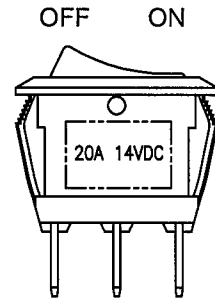
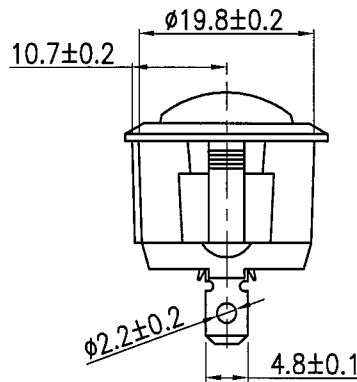
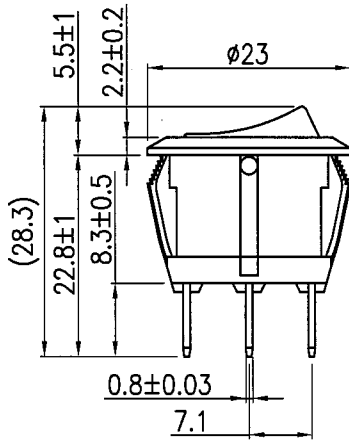
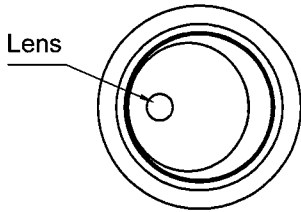
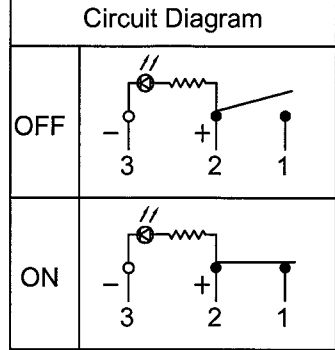


Rating	20A 14VDC	Mounting Hole	
Contact Resistance	50m ohm Max.		
Insulation Resistance	DC 500V 100M ohm Min.		
Dielectric Strength	AC 1500V 1 minute		
Operation Temperature	-25°C~85°C		
Switch Function	3P SPST ON-OFF (LED dependent)		

Material:
 Frame: Nylon#66, Black
 Actuator: Nylon#66, Black
 Lens: PC, Red clear
 Printed: None



Tolerances ±0.3 Unless Otherwise Specified