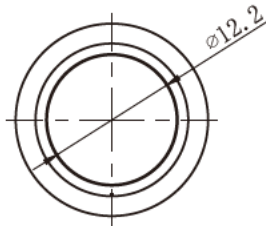
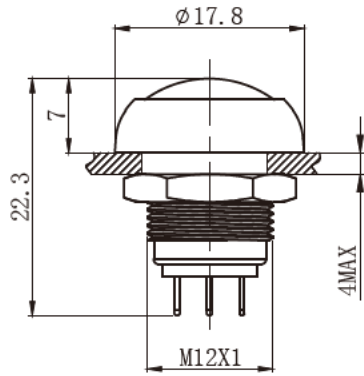
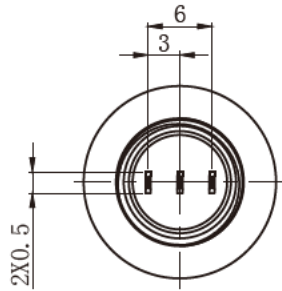


UNIT: mm (毫米)

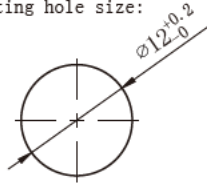


开关结构说明:
Switch structure description:



1, 2 — NO
1, 3 — NC

安装孔尺寸:
Mounting hole size:



性能要求:

Performance requirements:

- 防护等级: IP40;
Protection grade: IP40.
- 接触电阻: $\leq 100m\Omega$;
Contact resistance: $\leq 100m\Omega$.
- 绝缘电阻: $\geq 100M\Omega$;
The insulation resistance: $\geq 100M\Omega$
- 抗电强度: AC500V, 1min, 无闪烁、击穿;
Electrical resistance: AC500V, 1min, no flicker and breakdown;
- 寿命: 在额定负载下动作1万次无异常。
Life: operation under rated load for 10,000 times without abnormal.

技术要求:

Technical requirements:

- 表面光洁, 平整无毛刺;
The surface is smooth without burr;
- 参数/批次字迹清晰, 无错位;
Clear handwriting of parameters/batches without any dislocation;
- 电气参数: Ith: 0.1A Ui: DC12V;
Electric parameter: 0.1A Ui: DC12V;
- 工作环境温度: $-25^{\circ}C \sim +65^{\circ}C$;
Working environment temperature: $-25^{\circ}C \sim +65^{\circ}C$;
- 动作形式: 自复式; 自锁式;
Operation type: Momentary; Latching ;
- 动作行程: 约2mm;
Movement stroke: about 2mm
- 连接形式: 配套接插件/焊接导线;
Connection form: Matching connectors/Welding wire;
- 拧紧力矩: 约0.4Nm;
Tightening torque: about 0.4Nm;
- 开关组合: 1NO1NC;
Contact configuration: 1NO1NC;
- 外观材料: 按键: 铝合金;
外壳: 铝合金;
底座: PBT;
Appearance material: Button surface: Aluminum alloy;
Housing: Aluminum alloy;
Pedestal: PBT;
- 未标注公差按照GB/T 1804-m级。
Unmarked tolerance shall be in accordance with GB/T 1804-m class.

描 图

描 校

底 图 号

装 订 号

DR	APPD.	SCALE	countersign	Date	名称(TITLE): M12 Metal push button switch M12金属按钮开关
制 图	审 核	比 例	会 签	日 期	
		1.5:1		2022.9.15	
PW		P			
单 重		页 码	第1页 共1页 (1/1)		