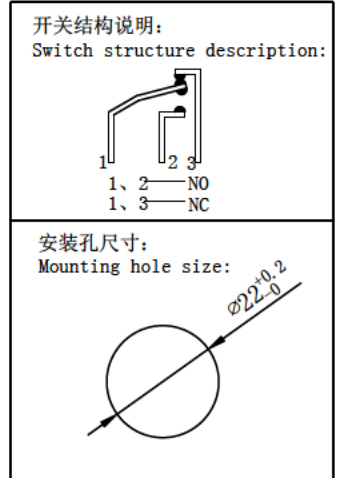
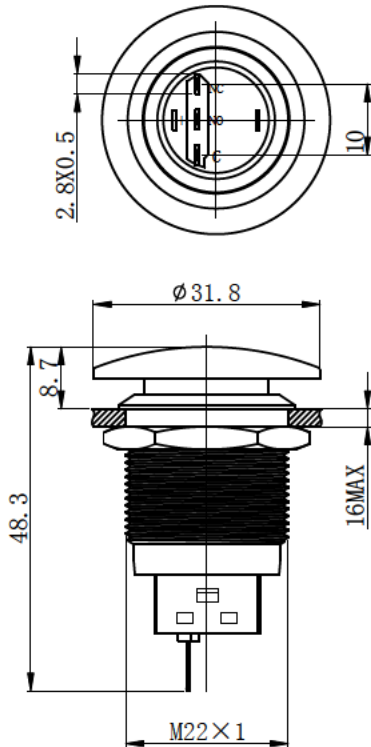


UNIT: mm (毫米)



性能要求:  
Performance requirements:

- 防护等级: IP67;  
Protection grade: IP67;
- 接触电阻:  $\leq 50m\Omega$ ;  
Contact resistance:  $\leq 50m\Omega$ ;
- 绝缘电阻:  $\geq 100M\Omega$ ;  
The insulation resistance:  $\geq 100M\Omega$ ;
- 抗电强度: AC2500V, 1min, 无闪烁、击穿;  
Electrical resistance: AC2500V, 1min, no flicker and breakdown;
- 寿命: 电气部分在额定负载下动作5万次无异常。  
Life: Electrical part: operate 50,000 times under rated load without any abnormality.  
机械部分: 动作100万次无异常;  
Mechanical part: no abnormal movement for 1000,000times.

技术要求:  
Technical requirements:

- 表面光洁, 平整无毛刺;  
The surface is smooth without burr;
- 参数/批次字迹清晰, 无错位;  
Clear handwriting of parameters/batches without any dislocation;
- 电气参数: Ith: 5A Ui: 250V;  
Electric parameter: 5A Ui: 250V;
- 工作环境温度:  $-25^{\circ}C \sim +65^{\circ}C$ ;  
Working environment temperature:  $-25^{\circ}C \sim +65^{\circ}C$ ;
- 动作形式: 自复式; 自锁式  
Operation type: Momentary; Latching;
- 动作行程: 约3.5mm;  
Movement stroke: about 3.5mm
- 连接形式: 配套接插件/焊接导线;  
Connection form: Matching connectors/Welding wire;
- 拧紧力矩: 约0.6Nm;  
Tightening torque: about 0.6Nm;
- 开关组合: 1NO1NC;  
Contact configuration: 1NO1NC;
- 外观材料: 头部: 铝合金  
外壳: 不锈钢;  
底座: PBT;  
触点: 银合金;  
Appearance material: Head: Aluminum alloy  
Housing: stainless steel;  
Pedestal: PBT;  
Contact silver alloy
- 未标注公差按照GB/T 1804-m级。  
Unmarked tolerance shall be in accordance with GB/T 1804-m class.

|       |
|-------|
| 描 图   |
| 描 校   |
| 底 图 号 |
| 装 订 号 |

|     |       |       |              |            |  |
|-----|-------|-------|--------------|------------|--|
| DR  | APPD. | SCALE | countersign  | Date       | 名称(TITLE):<br>M22 Metal waterproof button switch |
| 制 图 | 审 核   | 比 例   | 会 签          | 日 期        | M22金属防水按钮开关                                      |
|     |       | 1:1   |              | 2019.11.13 |  |
| FW  |       | P     |              |            |  |
| 单 重 |       | 页 码   | 第1页 共1页(1/1) |            |  |