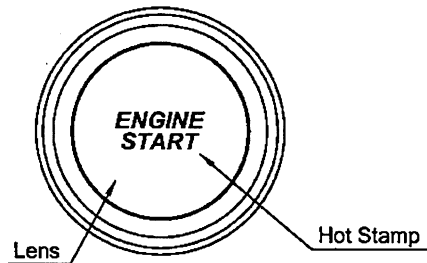
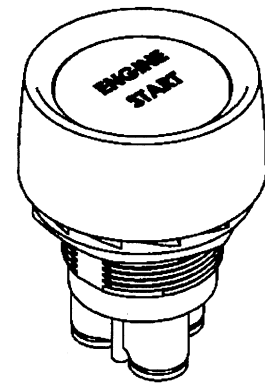
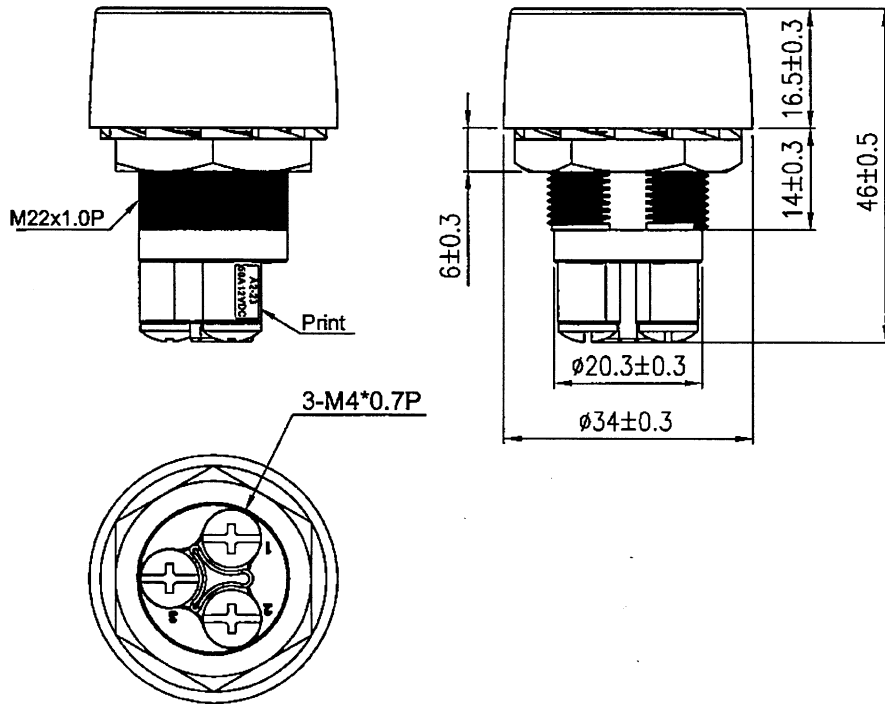


Rating	50A 12VDC		
Contact Resistance	50m ohm Max.		
Insulation Resistance	DC 500V 100M ohm Min.		
Dielectric Strength	AC 1500V 1 minute		
Operation Temperature	-25°C~85°C		
Switch Function	3P SPST (ON)-OFF (LED)	Thickness:9.0mm max.	Thickness:9.0mm max.

LED Color	LED Lens Color	VF	IF	View Angle	Mcd
Red	White diffuse	2.2V	20mA	100°	120



**MATERIAL:**  
 Frame: Nylon 66 (94V-2), Black  
 Cover: ABS (94HB)  
 Terminals: Copper Alloy  
 Contacts: Copper Alloy+AgSnO2InO3  
 LED:  $\phi 5.0$  White diffused  
 Actuator: PC (94V-2), Red  
 Hot stamping: White



C8VA2IA2-23B-07(1110061)