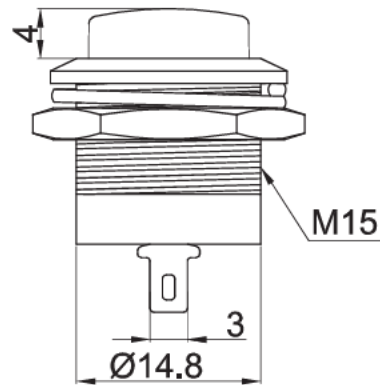
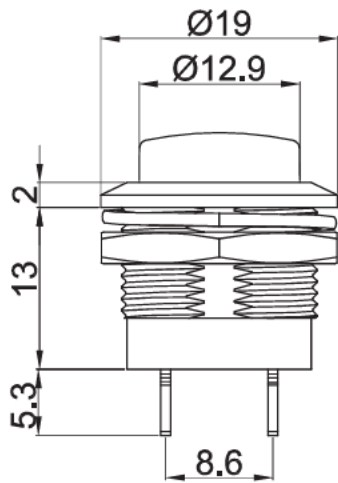
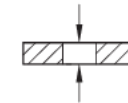
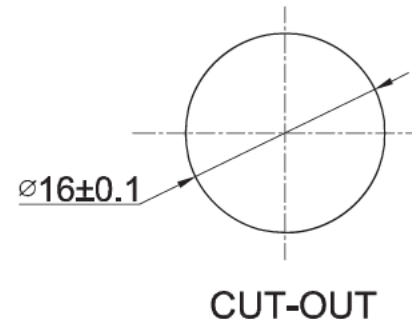


Rating: 6A 125V AC ;
 3A 250V AC ;
 Contact Resistance: 50mΩ Max. ;
 Insulation Resistance: DC 500V 100MΩ Min. ;
 Dielectric Strength: AC 1000V 1 minute
 Total Travel: 2.4±0.4mm
 Operating Force: 250±50gf
 Operating Temperature: 0°C~85°C
 Life test: The switch should operate at least
 10,000 times without failure.
 Mechanical life test: The switch should operate
 at least 50,000 times without mechanical failure.
 Function: OFF-(ON)



MATERIAL

Base: PA66, UL rated :94V-2 Min. ;
 Cap: ABS ;
 Terminal: Copper, Silver or Tin plated ;
 Nut: Brass, Ni plated.



Panel Thickness: 3mm MAX.

R	Red	红色
G	Green	绿色
B	Black	黑色
A	Gray	灰色
CAP COLOR (X)		

REVISION	DESCRIPTION	REVISED BY	TOLERANCES .X ± 0.3 .XX ± 0.15 ANGLE ± 1°			UNIT	mm	PART NAME	PB SPEC DRAWING	DWG NO
△			DRAWN BY	DESIGNED BY	SCALE					
△			CHECKED BY	APPROVED BY	DATE	2010.01.18	PART NO			
△	2010.01.18 換新圖框, 重新出圖	吳美玉								

1. General 一般事项:

- 1-1 Application: This specification is applied to the switch used in electronic equipment.
适用范围: 本规格主要适用于一般电子设备之开关。
- 1-2 Operating Temperature Range 使用温度范围: 0~85℃
- 1-3 RH 相对湿度: 45~85%.
- 1-4 Atmospheric Pressure 气压: 860~1060mbr.

2. Appearance Construction and Dimensions 外观、结构、尺寸:

- 2-1 Appearance: Push button switch shall have good finishing, and shall have no rust, crack or plating failure.
外观: 各部分之加工须良好, 开关上下不能生锈、刮伤、裂痕电镀不良及剥离等现象产生。
- 2-2 cleansing condition: Switch's surface shall avoid contact with oil sludge and shall not be exposed to the air for a long time.
清洁条件: 避免开关表面与空气长时间接触及油渍水溶剂沾污。
- 2-3 Construction and Dimensions: As per product drawing.
结构及尺寸: 依组立图。

3. Rating 电器等级:

- 6A 125VAC;
- 3A 250VAC

4. Electronic performance 电器性能:

Property 项目	Test Conditions 测试条件	Standards 判定标准
4.1 Contact Resistance 接触阻抗	Measure by micro-ohm meter at DC0.2 V, 1A 以微欧姆计之 DC0.2 V 1A 测之.	Max 50 mΩ 50 mΩ 以下
4.2 Insulation Resistance 绝缘阻抗	Measure with DC.500V applied between terminals of open contacts and between terminals of opposite polarity. 以 500VDC 于开路之端子间, 及不同回路端子间, between terminals of open contacts and between terminals of opposite polarity, and between terminals and frame as following.	More than 100 MΩ 100MΩ 以上
4.3 Dielectric withstand Strength Test 耐压	开关须施以一分钟电压于开路之端子与端子间, 不同两极之端子间及外壳与端子间, 以下列额定电压测之. 1000 volts for a switch rated more than 250VAC 额定 250VAC 以 1000 伏特测之	A switch shall withstand for 1 minute without breakdown or arc in a potential applied 1 分钟内不能有电弧导通或火花产生
4.4 Life test: 电气寿命测试	The switch applied with electric load 有电器负载的情况下测试	The switch should operate at least 10,000 times, without failure 开关动作次数超过 10,000 次

5. Mechanical performance 机械性能:

Property 项目	Test Conditions 试验条件	Standards 判定标准									
5.1 Pull test 拉力测试	A static force of 2.5 pound(1kg) being applied in one direction on the tip of the terminal for 1 minute. 拉力测试:施拉以同一方向之 2.5 磅静力(1 公斤)于端子前端一分钟.	The terminal may be deformed, but shall not sustain any trouble as deviation and breaking of terminal and breaking of insulation material 端子可容许变形,但不能有脱离,断裂及开关本体之绝缘部位破坏现象									
5.2 Terminal strength 端子强度测试	A static load of <u>5kgf</u> shall be applied in one direction on the tip of the terminal, there is no subsidence for the terminal of the switch. 在开关端子上施以 <u>5kgf</u> 开关端子无下陷.	Electrical characteristics shall be satisfied, there shall be no distinct looseness or deformation in mechanical system 满足电气性能, 机械性能方面没有明显的松动和变形。									
5.3 Operating Force 操作力	The switch should be cable of being operated within a force of 250gram±50gram 开关能够在 250g±50g 范围内动作	Tolerance: ±50g									
5.4 Soldering Heat Resistance 耐焊锡性	Temperature and duration of dipping 焊锡温度和浸入时间: <table border="1" data-bbox="730 464 1041 1161"> <thead> <tr> <th data-bbox="909 464 999 708">Terminal of lead 导线端子</th> <th data-bbox="909 708 999 927">Temperature 温度 (°C)</th> <th data-bbox="909 927 999 1161">Time 时间 (秒)</th> </tr> </thead> <tbody> <tr> <td data-bbox="819 464 909 708">Manual Soldering 手焊式</td> <td data-bbox="819 708 909 927">350±5°C</td> <td data-bbox="819 927 909 1161">3±0.5sec</td> </tr> <tr> <td data-bbox="730 464 819 708">Dip Soldering 锡炉式</td> <td data-bbox="730 708 819 927">260±5°C</td> <td data-bbox="730 927 819 1161">5±0.5sec</td> </tr> </tbody> </table>	Terminal of lead 导线端子	Temperature 温度 (°C)	Time 时间 (秒)	Manual Soldering 手焊式	350±5°C	3±0.5sec	Dip Soldering 锡炉式	260±5°C	5±0.5sec	No abnormalities shall be observed in appearance and operation. 外观无显著变形及动作无异常.
		Terminal of lead 导线端子	Temperature 温度 (°C)	Time 时间 (秒)							
		Manual Soldering 手焊式	350±5°C	3±0.5sec							
Dip Soldering 锡炉式	260±5°C	5±0.5sec									
5.5 Soldering 焊锡性	230±5°C 3±0.5sec	More than 75% of the dipped part shall be covered by solder 焊锡附着浸入 75%以上									
5.6 Mechanical life test: 无负载机械寿命测试	The switch applied without electric load 未施电器负载的情况下测试	The switch should operate at least 50,000 times, without mechanical failure 开关动作次数超过 50,000 次									

5.7	Travel 行程	Push by recommended operating condition:2.4±0.4mm 行程:2.4±0.4mm	Tolerance: ±0.4mm
-----	--------------	---	----------------------

6 Weather Proof耐候性

	Property 项目	Test Conditions 试验条件	Standards 判定标准
6.1	Cold Proof 耐寒性	Inlet socket for testing being kept in the normal condition at 0 ± 2 °C for 96 hours, then to be measured within 1 hour after drops of water being taken away. 0 ± 2 °C放置 96 小时试验后, 置于常温常湿中 1 小时; 除去水滴后, 在一小时内测试之。	1.Max Contact Resistance: <u>50</u> m Ω 接触阻抗: <u>50</u> m Ω 以下
6.2	Hot Proof 耐热性	Inlet socket for testing being kept in the normal condition at 85 ± 2 °C for 96 hours, then to be measured within 1 hour. 85 ± 2 °C放置 96 小时试验后, 置于常温常湿中 1 小时; 在一小时内测试之。	2.Clause 4.3 shall be satisfied 必须满足 4.3 项
6.3	Resistance to humidity 耐湿性	Inlet socket for testing being kept in the normal condition at 40 ± 2 °C, and 90~95%HR for 96 hours, then to be measured within 1 hour after drops of water being taken away. 40 ± 2 °C, 相对湿度 90~95%下, 放置 96 小时试验后, 置于常温常湿中 1 小时; 除去水滴后, 在一小时内测定之。	3.No abnormalities shall be observed on the appearance and construction. 外观构造无异常现象。