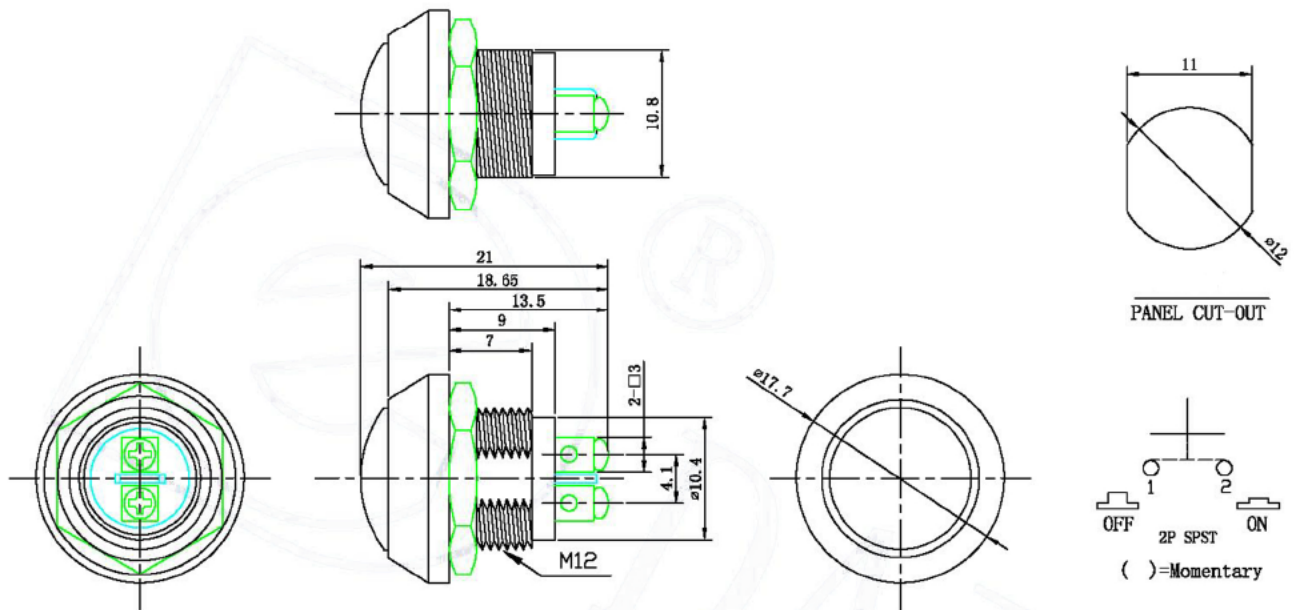


Specifications

Rating:	2A 36VDC
Protection Level:	IP65
Contact Resistance:	50mΩ Max
Insulation Resistance:	1000MΩ Min
Dielectric Strength:	2000VAC 1 minute
Operating Temperature:	-40°C to +85°C
Electrical Life:	50,000+ Cycles



Description	Ref Code
Red Off-(On) Push Button Switch Screw Terminals SPST IP67	101031