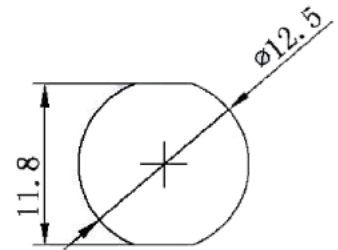
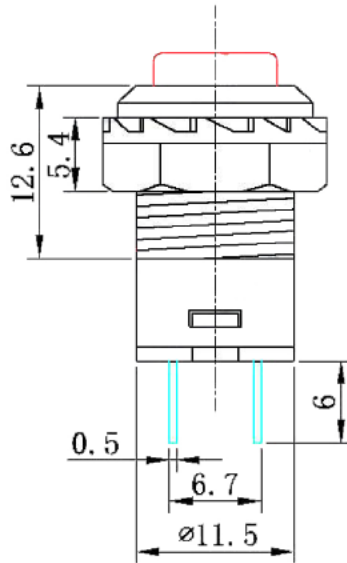
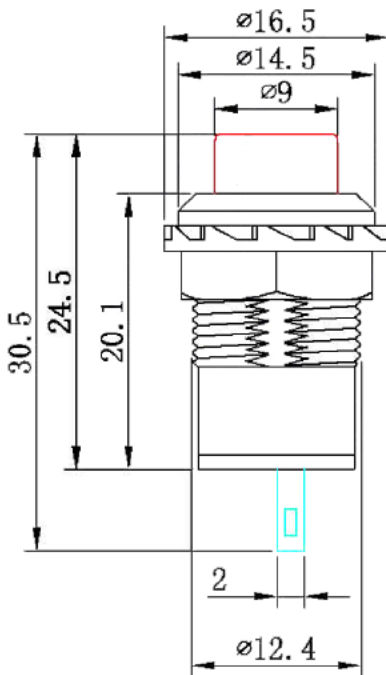


Specifications

Rating:	3A 125VAC, 1.5A 250VAC
Housing Material:	PA66
Contact Material:	Silver Plated Brass
Contact Resistance:	50mΩ Max
Insulation Resistance:	100MΩ Min
Dielectric Strength:	1000VAC 1 minute
Operating Temperature:	-20°C to +65°C
Electrical Life:	10,000+ Cycles



Panel Cut-out



Description	Ref Code
Red Off(On) Momentary Round 12mm Switch SPST	103111