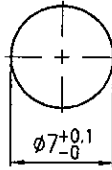
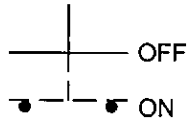
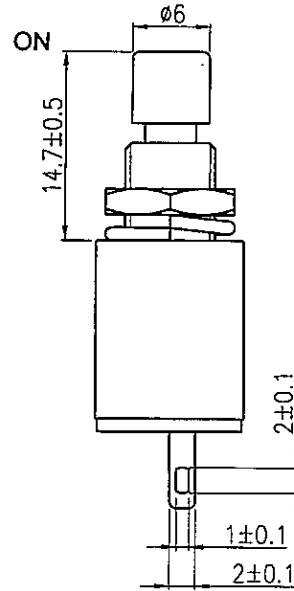
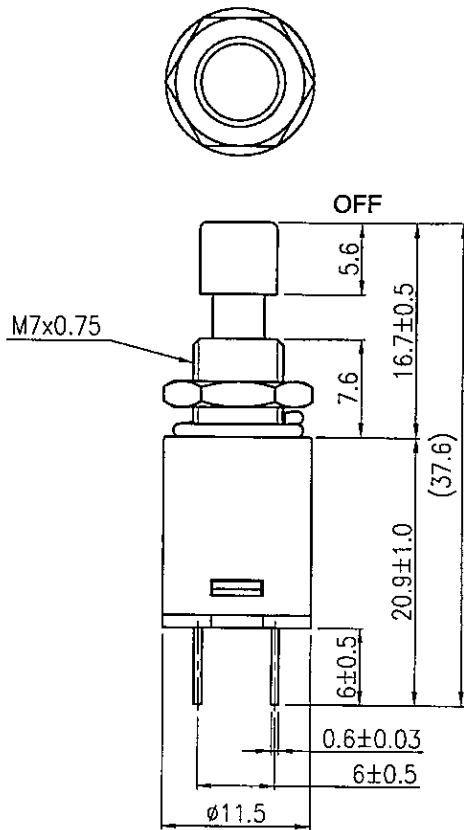


Rating	3A 125V AC, 1.5A 250V AC		
Contact Resistance	50m ohm Max.		
Insulation Resistance	DC 500V 100M ohm Min.		
Dielectric Strength	AC 1500V 1 minute		
Switch Function	2P SPST OFF-ON		

Material:
 Frame: Black, Nylon#66
 Actuator: ABS
 Terminals: Silver Plated Brass



1830609	Black
1830608	Red
SCI BOM NO.	Actuator Color

Tolerances Unless Otherwise Specified ±0.3