

Plastic Piezo Switch

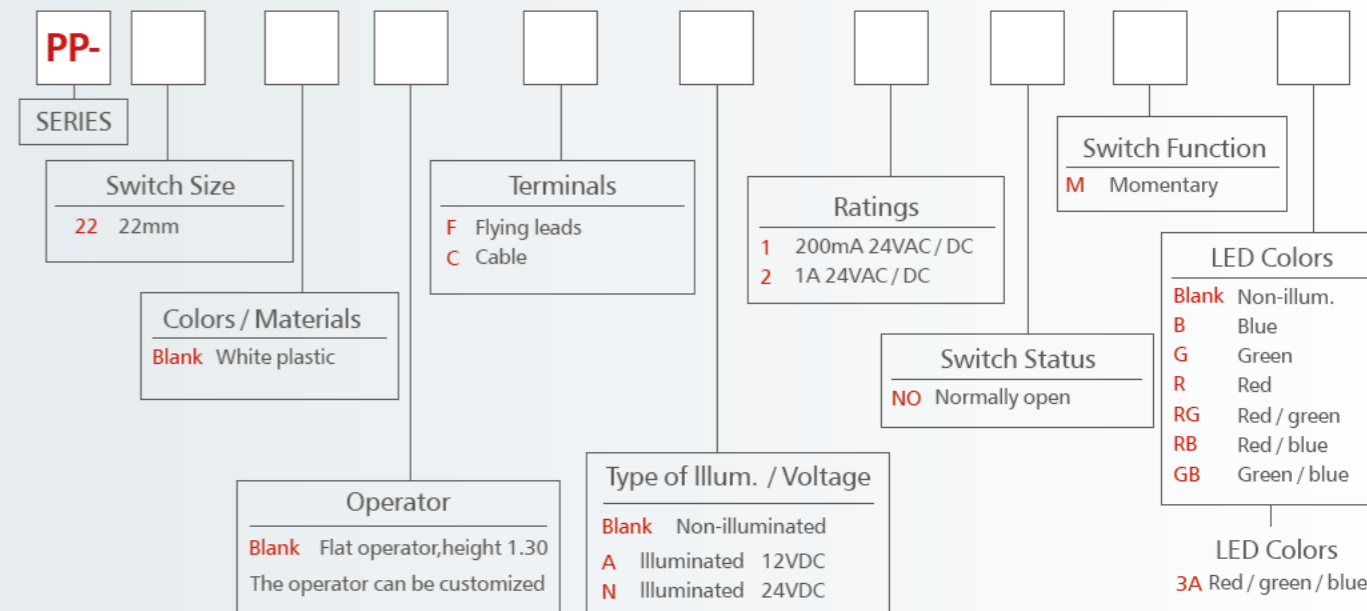
Leaders in engineering, innovation and quality

SOCOJE brings piezo technology to perfection



Piezo Switch

Plastic Piezo Switch Ø22 (.866)



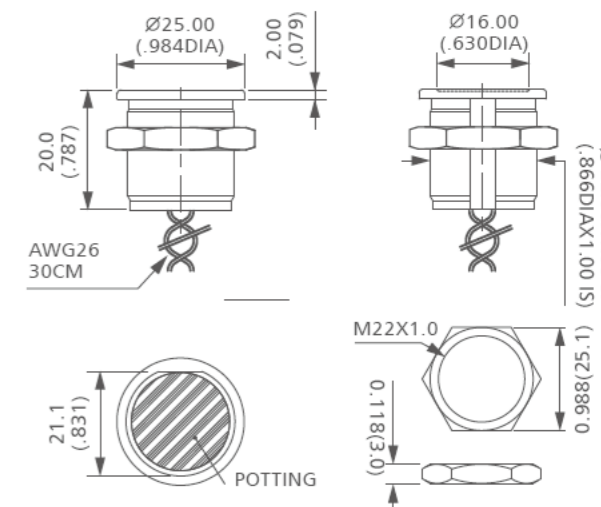
Plastic piezo switches offering rugged, sealed tamper and vandal proof solid stated switching.
 Exceptional durability and reliability.
 Fitted with red, green and blue LED's for illumination.

- 25mm diameter actuator
- 22.2mm diameter mounting hole
- Normally open, momentary action
- Make impulse time of 125-300 msec
- Recessed face
- Wire termination
- IP68 Sealed
- Available in 12V and 24V LED's

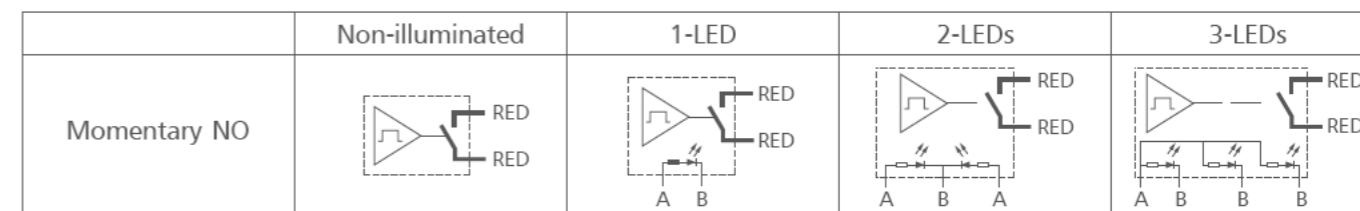
Specifications

Operating voltage:	1-24V AC / DC	
Switching current	0.2A(standard) / 1A options	
Actuation force	3-5N	
Operating temperature	-20°C ~ +70°C	
LED operating voltage	12DC max OR 24V DC max	
LED max current consumption:	(12V)	(24V)
Red	18mA	18mA
Green	9mA	9mA
Blue	27mA	16mA
Ingress Protection	IP68	
Life time	50 million operations	
Material	POM	

Dimension



Wiring Diagrams



Legend: B=black, A=same color as LED *LED color is indicated by the bottom of the product.