

Part Number: LMSB 130/30 (Alternate Part No: S1683H / S1682H)
Proximity Switch - Reed Switch based
Rectangular - Normally Closed Contacts - Suggested Magnet: LMSM

PICTURE



✓RoHS Compliant

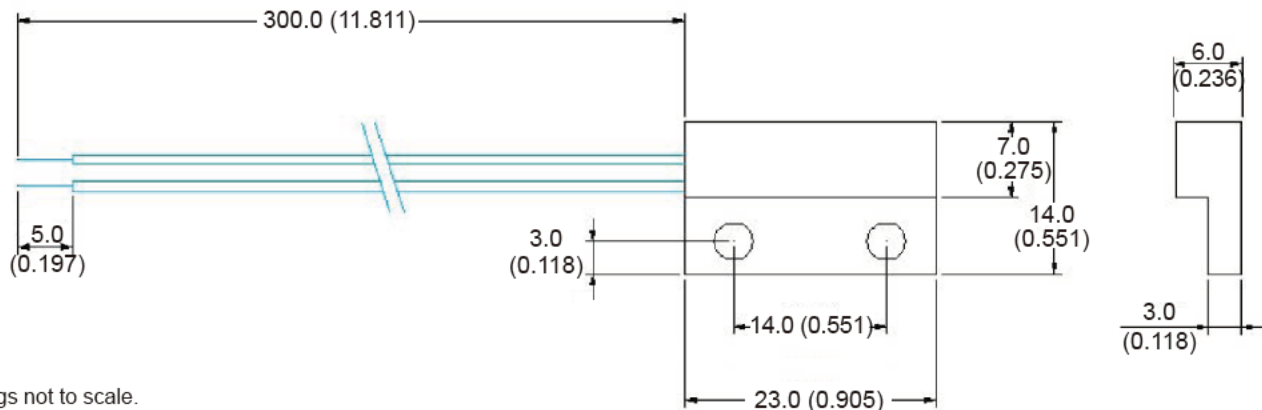
APPLICATIONS INCLUDE

- Position and limit sensing
- Linear actuators
- Security system switch
- Door Switch

FEATURES

- High Voltage version available. (MPSB 130/30)
- Cable Entry: Standard = Right hand entry (shown above). Also available Left hand entry.
- Custom cable lengths, strip lengths, cable types, terminations.
- If you do not see what you need, just ask, as there is a strong possibility we can do it !
- Device is intended to be mounted in an enclosure under UL recognition.

DIMENSIONS



Drawings not to scale.
 All dimensions in mm (inches) nominal.

SPECIFICATION

| | |
|--------------------------------------|-------------------------------------|
| Contact Form / Style | Normally Closed |
| Switching Voltage | 100 VAC |
| Switching Current | 0.5 A |
| Switching Capacity (Resistive) | 5 VA |
| Switching Distance | 5.0 mm MIN |
| Operating Temperature - Continuous | -20°C +70°C |
| Operating Temperature - Intermittent | -25°C +70°C |
| Storage Temperature | -25°C +70°C |
| Case Material | ABS |
| Cable | White 7/0.2mm ² PVC 70°C |