

Part Number: LMSA 240/30 (Alternate Part No: S1683G / S1682G)
Proximity Switch - Reed Switch based
Rectangular - Normally Open Contacts - Suggested Magnet: LMSM

PICTURE



✓RoHS Compliant

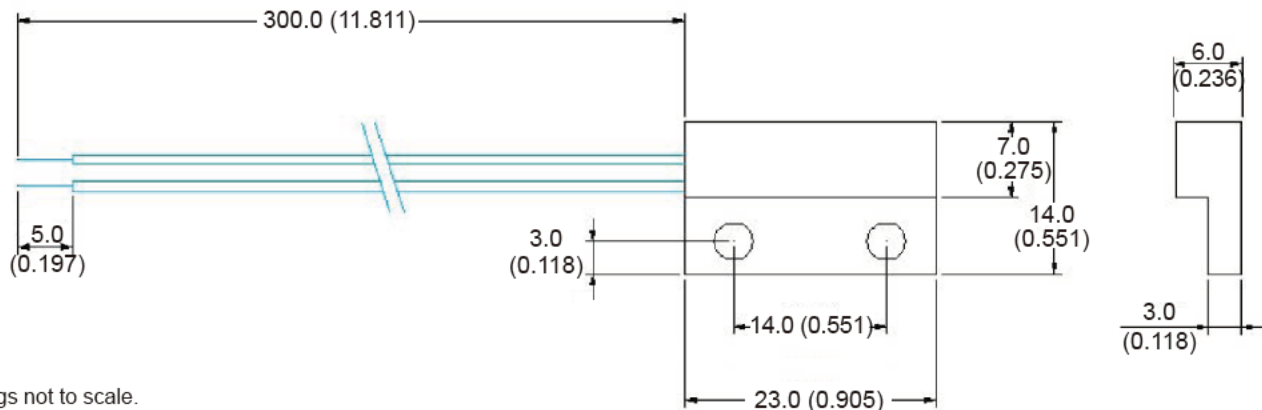
APPLICATIONS INCLUDE

- Position and limit sensing
- Linear actuators
- Security system switch
- Door Switch

FEATURES

- High Voltage version available. (MPSA 240/30)
- Cable Entry: Standard = Right hand entry (shown above). Also available Left hand entry.
- Custom cable lengths, strip lengths, cable types, terminations.
- If you do not see what you need, just ask, as there is a strong possibility we can do it !
- Device is intended to be mounted in an enclosure under UL recognition.

DIMENSIONS



Drawings not to scale.
 All dimensions in mm (inches) nominal.

SPECIFICATION

Contact Form / Style	Normally Open
Switching Voltage	240 VAC
Switching Current	0.5 A
Switching Capacity (Resistive)	10 VA
Switching Distance	5.0 mm MIN
Operating Temperature - Continuous	-20°C +70°C
Operating Temperature - Intermittent	-20°C +70°C
Storage Temperature	-25°C +70°C
Case Material	ABS
Cable	White 7/0.2mm ² PVC 70°C