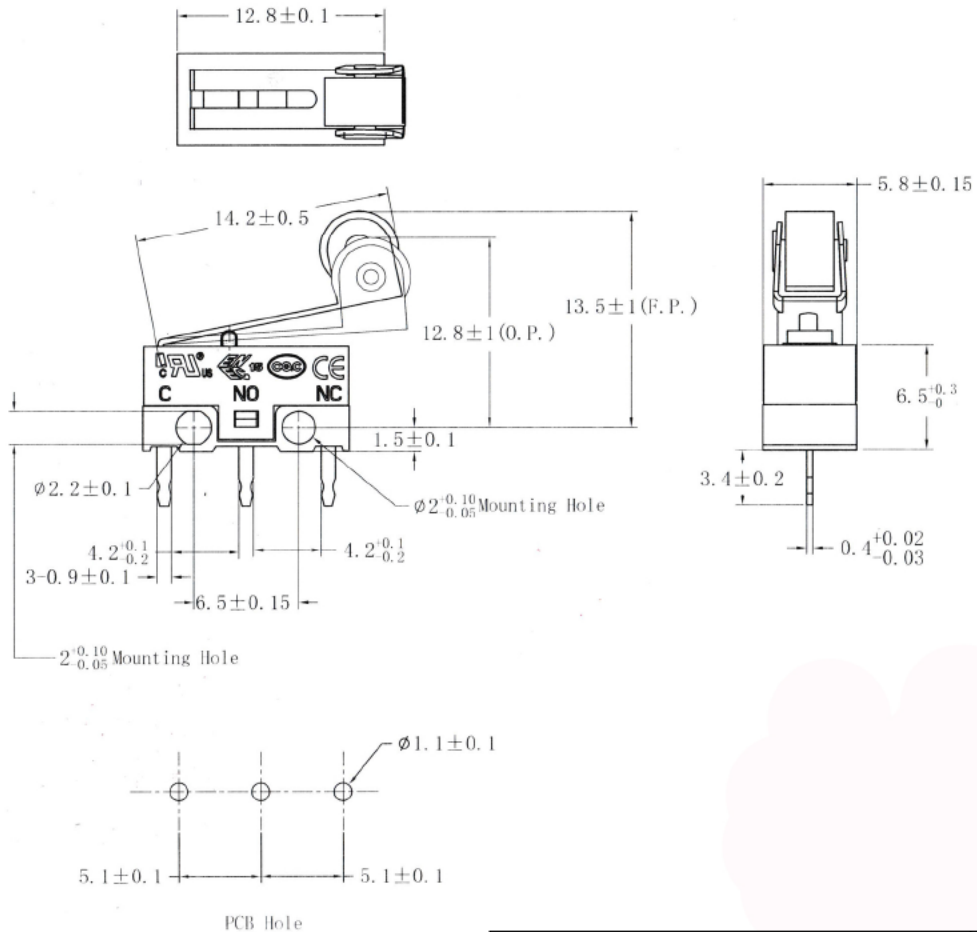


## Specifications

Rating:	3A 250VAC
Operating Force:	30gf
Contact Resistance:	50mΩ Max



Description	Ref Code
Roller Lever Subminiature PCB Microswitch SPDT 3A	481694