



Specifications

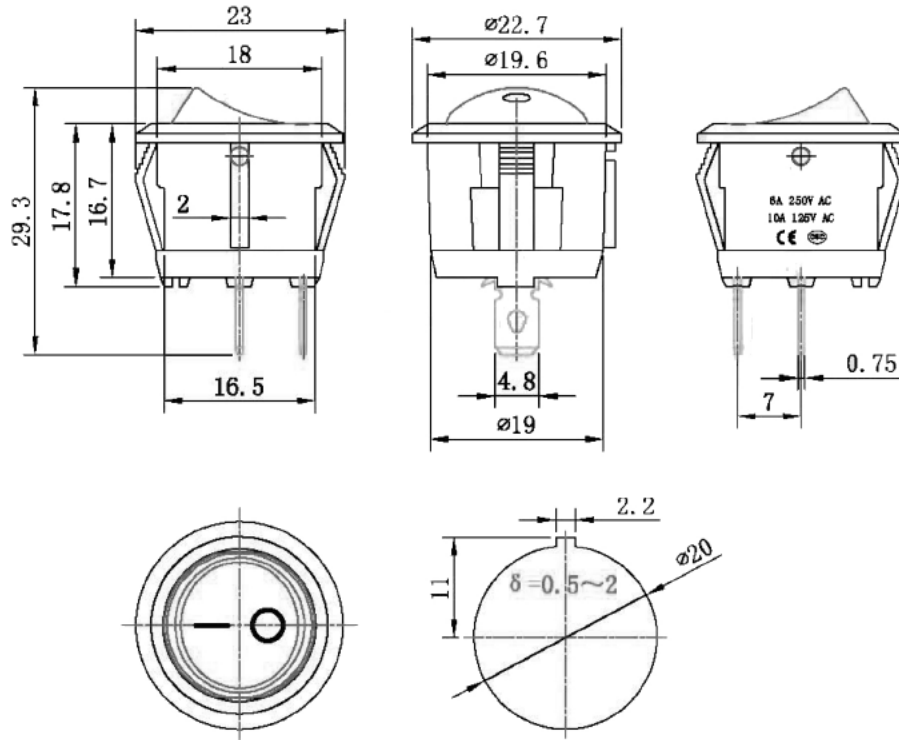
Contact Configuration:	SPST, On-Off
Actuator:	Non-illuminated, Round
Terminal:	Quick Connect, 4.8mm
Protection Level:	IP20
Operating Temperature:	-25°C to +85°C
RoHS Compliant	

Electrical Specifications

Rating:	6A 250VAC / 10A 125VAC
Electrical Life:	10,000+ Cycles
Insulation Resistance:	>100MΩ
Contact Resistance:	<50mΩ
Dielectric Strength:	1500VAC 1 Minute

Material Specifications

Housing:	Polyamide 6.6, Black
Rocker:	Polyamide 6.6, Black
Contact:	Silver Alloy
Terminal:	Silver Plated Brass
Spring:	Steel Wire



Description	Ref Code
Round Black On-Off Rocker Switch 20mm SPST	130003