
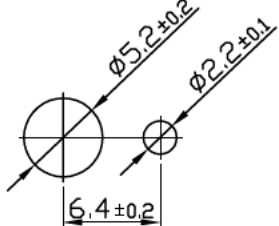

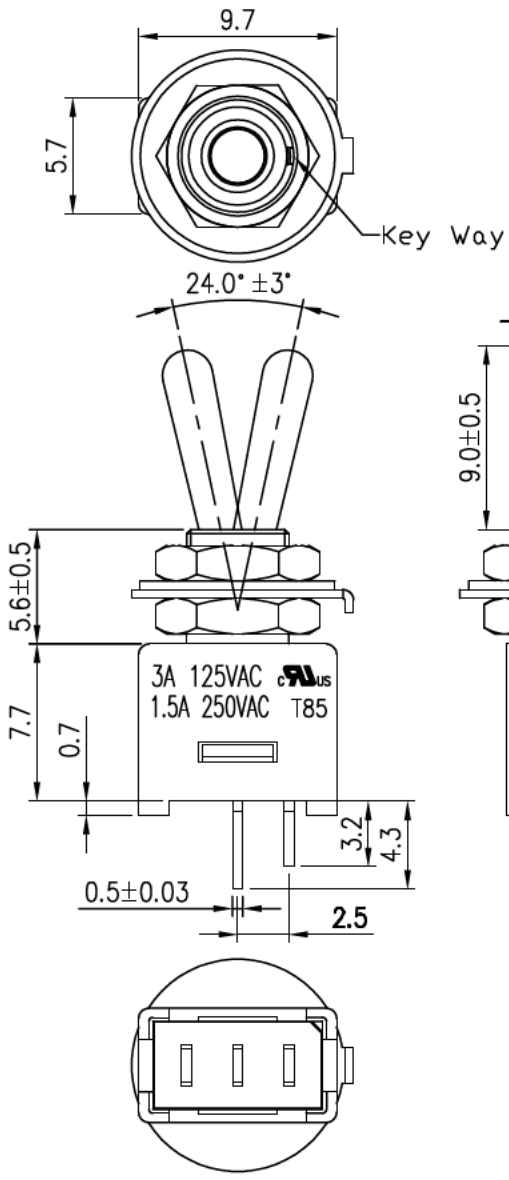
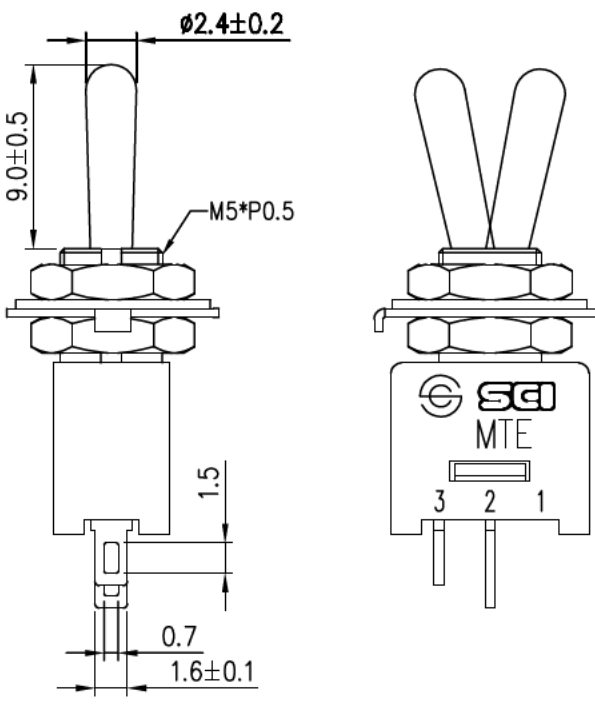


Rating	3A 125V AC 1.5A 250V AC	 T85	Mounting Hole	Circuit Diagram
Contact Resistance	20m ohm Max			
Insulation Resistance	DC 500V 100M ohm Min			
Dielectric Strength	AC 1000V 1 minute			
Operation Temperature	-20°~85°			
Switch Function	2P SPST ON-OFF			



MATERIAL:
 Frame: PBT
 Base: PBT
 Toggle: Nickel plated brass
 Terminal: Silver plated copper



1.Tolerances Unless Otherwise Specified ±0.3

d:\projects\圖庫\其他\MTE101A1_1870023_1

						△	
7/28/12	Ruby	Add SCI LOGO				△	
Date	Name	Description				No.	
Drawn	Checked	Approved	SCI BOM No.	1870023	Model Name	Mini Toggle Switch	
			Customer No.		Model No.	MTE101A1	Rev.
			Unit	mm			1