
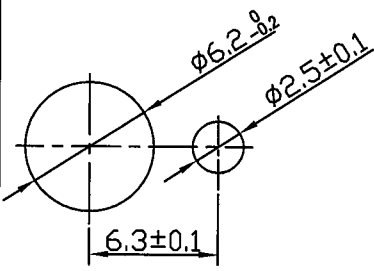
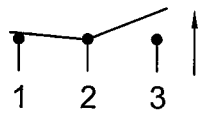
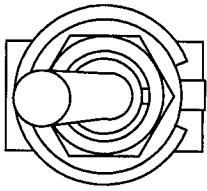
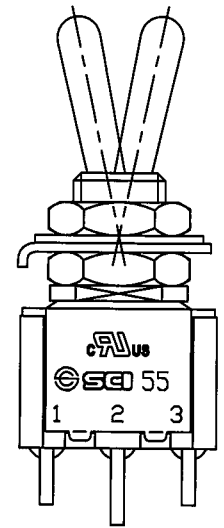
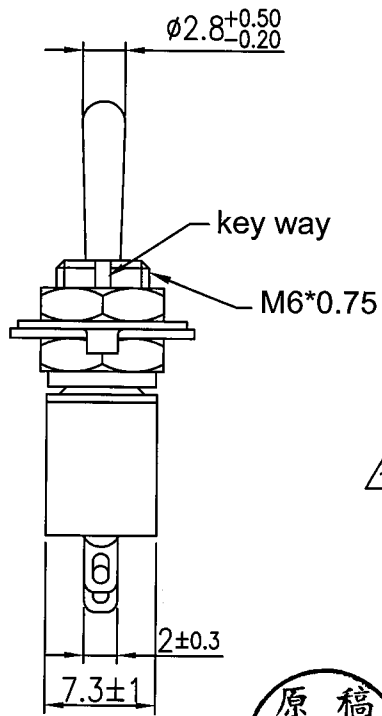
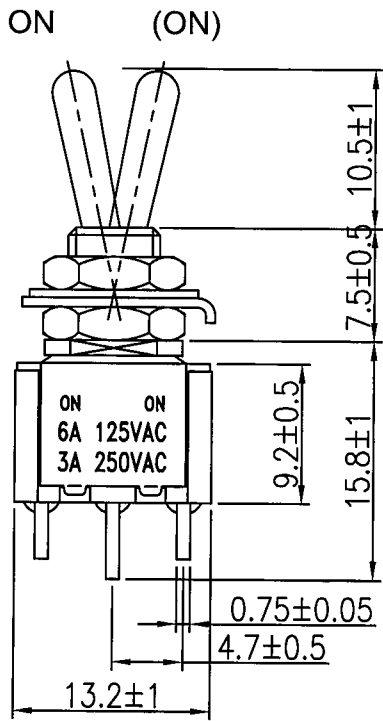


Rating	6A 125V AC, 3A 250V AC 	Mounting Hole	Circuit Diagram
Contact Resistance	50m ohm Max.		
Insulation Resistance	DC 500V 100M ohm Min.		
Dielectric Strength	AC 1000V 1 minute		
Switch Function	3P SPDT ON-(ON)		
Base color	Black		



- 2 HEX NUT ASSY
- 1 LOCKER WASHER ASSY
- 1 LOCATING RING ASSY



原稿
 2017.6.30
 研發部