
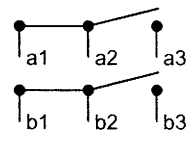
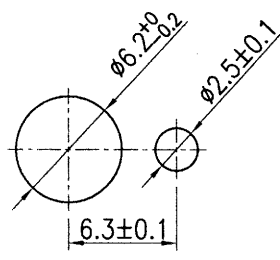
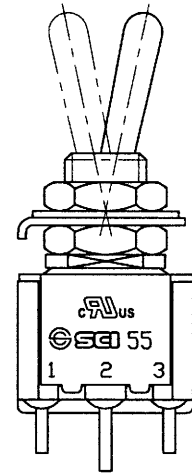
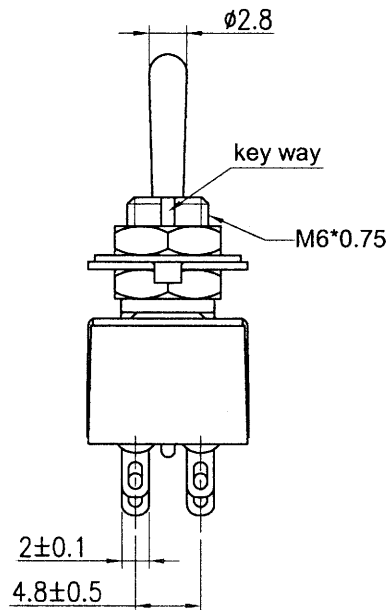
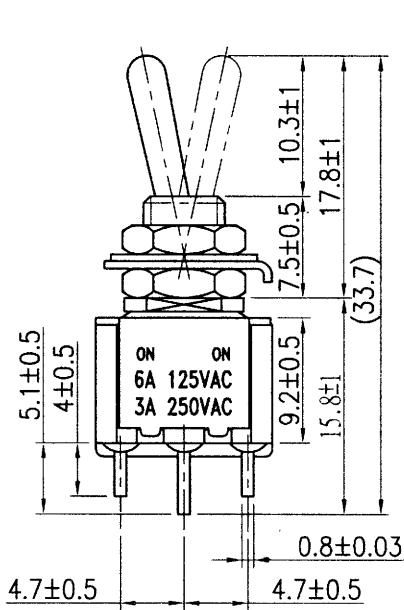
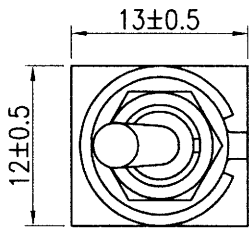


Rating	6A 125V AC 3A 250V AC		Mounting Hole	
Contact Resistance	50m ohm Max.			
Insulation Resistance	DC 500V 100M ohm Min.			
Dielectric Strength	AC 1000V 1 minute			
Switch Function	6P DPDT ON-ON			



Tolerances ± 0.3 Unless Otherwise Specified